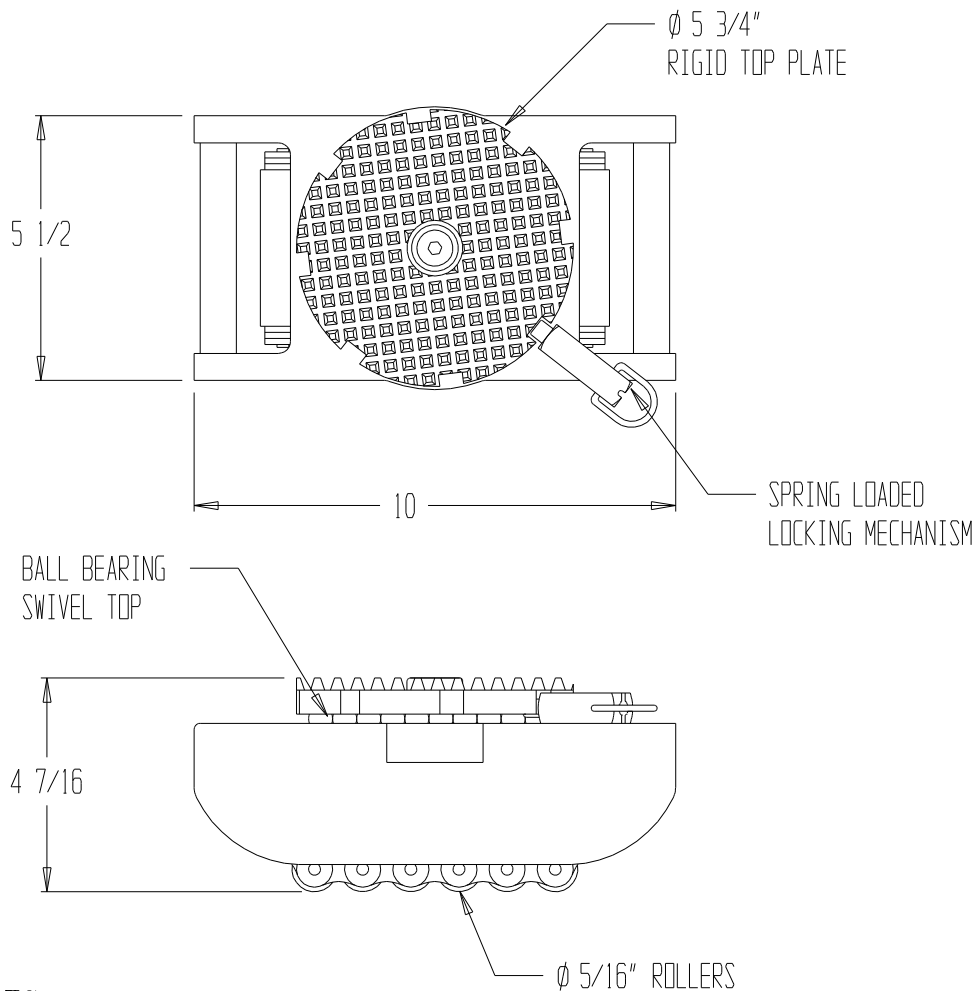


MACHINE ROLLER, VHMS-8



STANDARD FEATURES

MODEL NUMBER: VHMS-8
 CAPACITY: 8,250 LBS
 OVERALL WIDTH: 5 1/2"
 OVERALL LENGTH: 10"
 OVERALL HEIGHT: 4 7/16"
 RIGID ϕ 5 3/4" TOP PLATE
 ROLLER LENGTH: 3 1/4"
 ROLLER DIA: ϕ 5/16"
 NUMBER OF ROLLERS: 14

SPECIAL FEATURES

NONE

PRODUCTION WILL START UPON
 RECEIPT OF SIGNED APPROVAL
 DRAWING

All graphics provided are for reference only.
 If certain dimensions are critical please
 verify those dimensions with your salesperson

**A
P
P
R
O
V
A
L**
 I, THE UNDERSIGNED, AGREE THAT THE PRODUCT AS REPRESENTED SATISFIES DESIGN & DIMENSION REQUIREMENTS. I ALSO ACKNOWLEDGE MY DUTY TO CONFIRM PRODUCT & INSTALLATION COMPLIANCE WITH ALL APPLICABLE FEDERAL, STATE AND LOCAL REGULATIONS & STANDARDS.
UNITS REQUIRING APPROVAL DRAWINGS OR MODIFIED ARE NON-RETURNABLE
 As drawn As marked
 Signed: _____ Date: _____
 Printed Name _____
 LEAD TIME WILL START UPON RECEIPT OF SIGNED APPROVAL DRAWING

DISTRIBUTOR'S NAME: VESTIL MANUFACTURING		P.O.#: -
DRAWN BY: QW	DATE: 8-2-06	SALES: -
REFERENCE: -	SCALE: 1:4	DRWG./FILE NAME:
QUOTED LEADTIME: -	QUOTE #: -	VHMS-8

**SPECIAL UNITS ARE NON-RETURNABLE
 *AVAILABLE AT ADDITIONAL COSTS