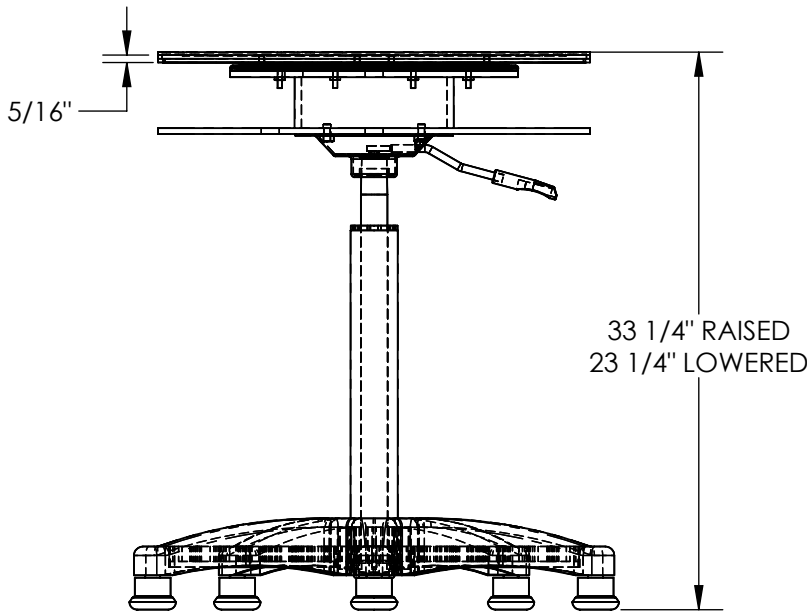
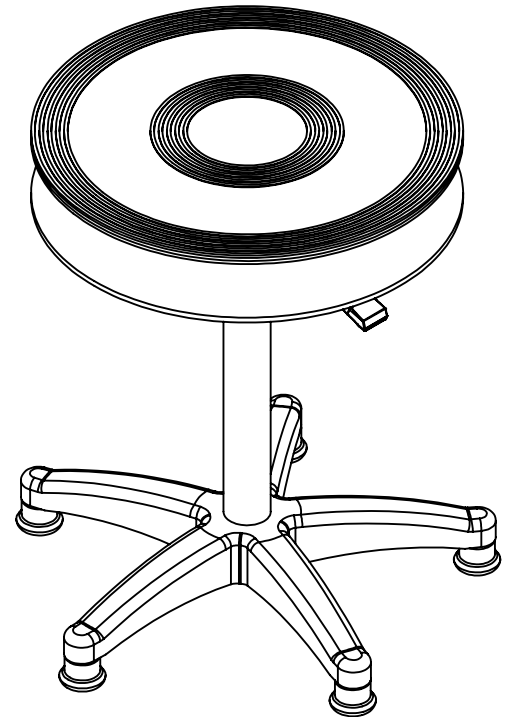
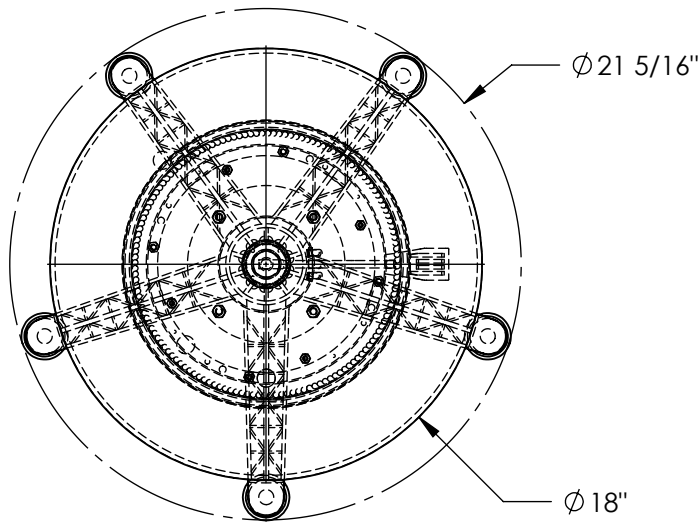


HEAVY-DUTY MANUAL TURNTABLE - TT-18-CDPED

APPROX WEIGHT: 67.33 lbs. DOES NOT INCLUDE WEIGHT OF POWER OR PACKAGING!!!
 ANY ADDITIONS, DELETIONS, OR OMISSIONS MUST BE CORRECTED ON THIS DRAWING AS THIS DRAWING WILL BE CONSIDERED ALL INCLUSIVE



ALL GRAPHICS PROVIDED ARE FOR REFERENCE ONLY. IF CERTAIN DIMENSIONS ARE CRITICAL PLEASE VERIFY THOSE DIMENSIONS WITH YOUR SALESPERSON

DIMENSION TOLERANCE $\pm 1/4"$

STANDARD FEATURES

- MODEL NUMBER IS TT-18-CDPED
- UNIFORM CAPACITY: 300 LBS
- TURNTABLE DIAMETER: $\varnothing 18"$
- RAISED HEIGHT: 33 1/4"
- LOWERED HEIGHT: 23 1/4"
- GAS CYLINDER MECHANISM HEIGHT ADJUSTMENT
- 5/16" TOP PLATE
- RUBBER COVER ON TOP PLATE
- BLUE LIQUID PAINT FINISH

SPECIAL FEATURES

NONE

APPROVAL

I, THE UNDERSIGNED, AGREE THAT THE PRODUCT AS REPRESENTED SATISFIES DESIGN AND DIMENSION REQUIREMENTS. I ALSO ACKNOWLEDGE MY DUTY TO CONFIRM PRODUCT AND INSTALLATION COMPLIANCE WITH ALL APPLICABLE FEDERAL, STATE AND LOCAL REGULATIONS AND STANDARDS.
UNITS REQUIRING APPROVAL DRAWINGS OR MODIFIED ARE NON-RETURNABLE
 As drawn As marked

Signed: _____ Date: _____

Printed Name: _____

LEAD TIME WILL START UPON RECEIPT OF SIGNED APPROVAL DRAWING

DISTRIBUTOR'S NAME:		P.O.#
VESTIL MANUFACTURING		X
		W.O.#
DRAWN BY: WHR		X
DATE: 11/23/11		SALES:
REFERENCE: X		X
SCALE: 1:8		FILE NAME:
QUOTED LEAD TIME: X		20-007-060
QUOTE #		
X		