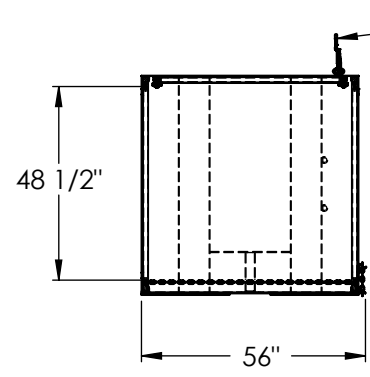


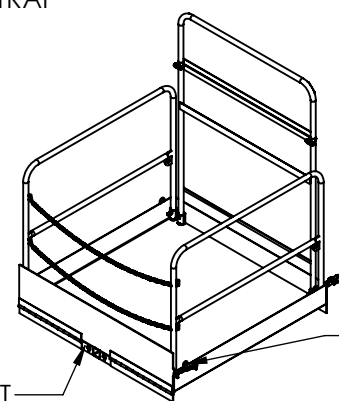
ECONOMICAL PORTABLE LOADING PLATFORM W/HANDRAIL OPTION -FTLP-5454-HR

APPROX WEIGHT: 433.65 lbs.
 DOES NOT INCLUDE WEIGHT OF POWER OR PACKAGING!!!

*** ANY ADDITIONS, DELETIONS, OR OMISSIONS MUST BE CORRECTED ON THIS DRAWING AS THIS DRAWING WILL BE CONSIDERED ALL INCLUSIVE ***
 ALL GRAPHICS PROVIDED ARE FOR REFERENCE ONLY. IF CERTAIN DIMENSIONS ARE CRITICAL PLEASE VERIFY THOSE DIMENSIONS WITH YOUR SALESPERSON

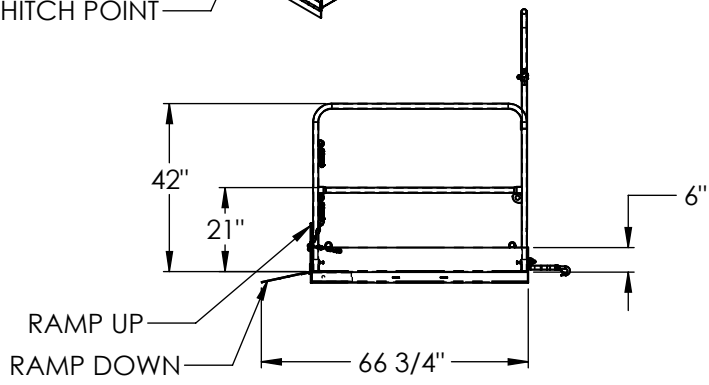
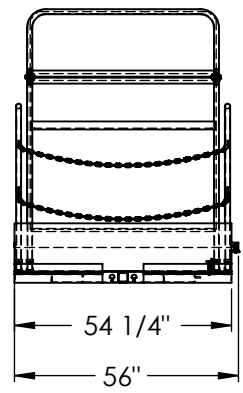


48" SAFETY STRAP

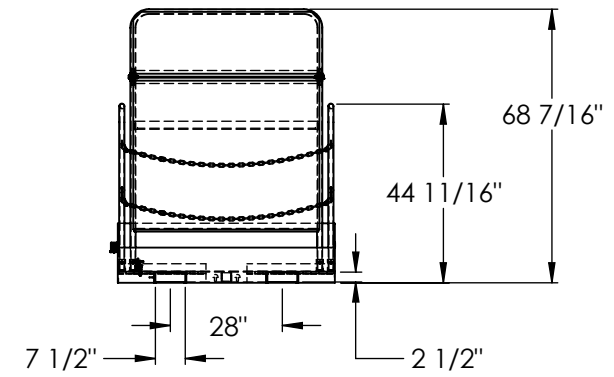


TOWBALL HITCH POINT

D-RING TIE DOWN



RAMP UP
 RAMP DOWN



DIMENSION TOLERANCE ± 1/4"

APPROX. WEIGHT / LOST LOAD = 433.65
 MINIMUM EFFECTIVE THICKNESS = LESS THAN 1"
 NEVER EXCEED LOAD CENTER RATING PER FORKTRUCK MANUFACTURERS GUIDELINES.
 DO NOT USE THIS FORK TRUCK ATTACHMENT IF LOAD WILL EXCEED FORK TRUCK MANUFACTURER'S LOAD CENTER RATING

STANDARD FEATURES

- MODEL NUMBER IS: FTLP-5454-HR
- USABLE WIDTH IS: 54 1/4"
- USABLE LENGTH IS: 48 1/2"
- OVERALL HEIGHT IS: 68 7/16"
- SIDE GUARD HEIGHT IS: 6"
- MAX CAPACITY IS 2,000 LBS WITH A UNIFORM LOAD (DEPENDENT ON FORK TRUCK CAPACITY)
- FORK POCKETS ARE 7-1/2" WIDE X 2-1/2" HIGH USABLE (WITH 28" CENTERS)
- 4 TIE DOWN RINGS INCLUDED - LOCATED ON CORNERS
- 48" SAFETY STRAP TO SECURE PLATFORM TO FORK TRUCK (INCLUDED)
- BASE IS DURABLE BAKED IT POWDER COAT BLUE FINISH
- HANDRAILS ARE DURABLE BAKED IT POWDER COAT YELLOW FINISH

SPECIAL FEATURES

NONE

I, THE UNDERSIGNED, AGREE THAT THE PRODUCT AS REPRESENTED SATISFIES DESIGN AND DIMENSION REQUIREMENTS. I ALSO ACKNOWLEDGE MY DUTY TO CONFIRM PRODUCT AND INSTALLATION COMPLIANCE WITH ALL APPLICABLE FEDERAL, STATE AND LOCAL REGULATIONS AND STANDARDS.

UNITS REQUIRING APPROVAL DRAWINGS OR MODIFIED ARE NON-RETURNABLE

[] As drawn [] As marked

Signed: _____ Date: _____

Printed Name: _____

LEAD TIME WILL START UPON RECEIPT OF SIGNED APPROVAL DRAWING

| | | |
|----------------------|-------------|------------|
| DISTRIBUTOR'S NAME: | | P.O.# |
| VESTIL MANUFACTURING | | X |
| DRAWN BY: BCN | | W.O.# |
| DATE: 1/14/2016 | | X |
| REFERENCE: X | SCALE: 1:48 | SALES: X |
| QUOTED LEAD TIME: X | QUOTE # X | FILE NAME: |
| | | 14-007-098 |