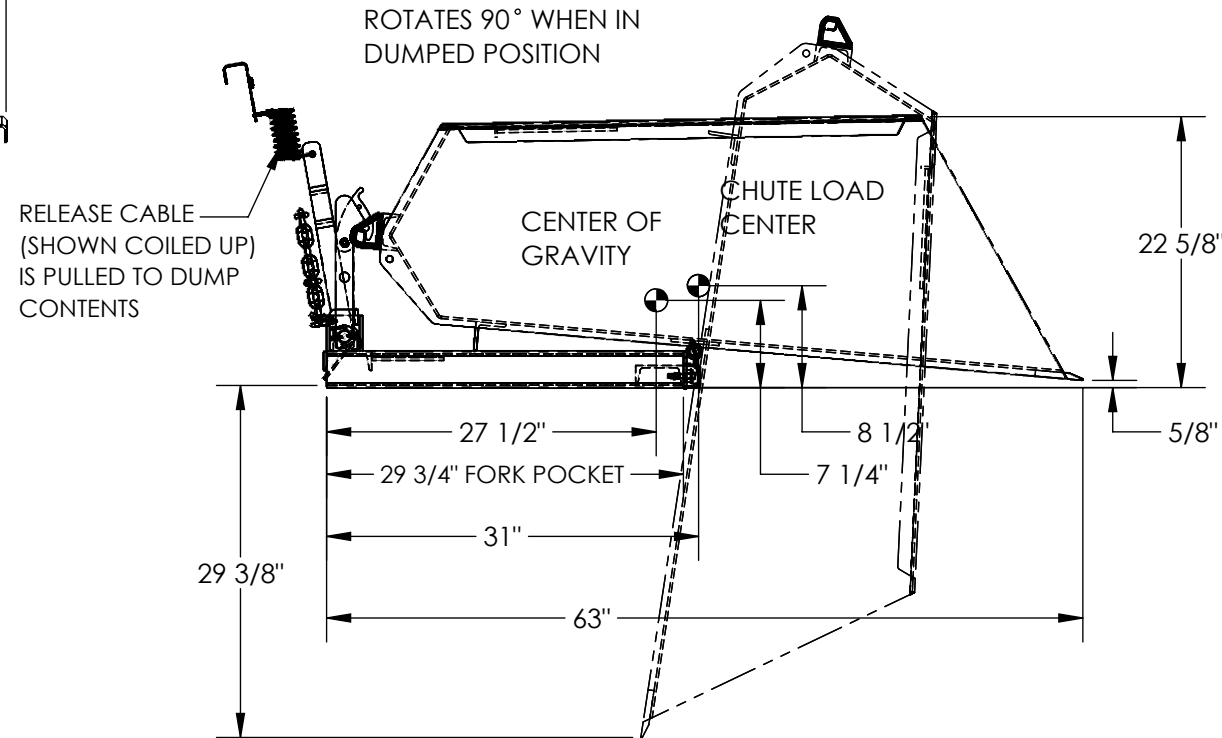
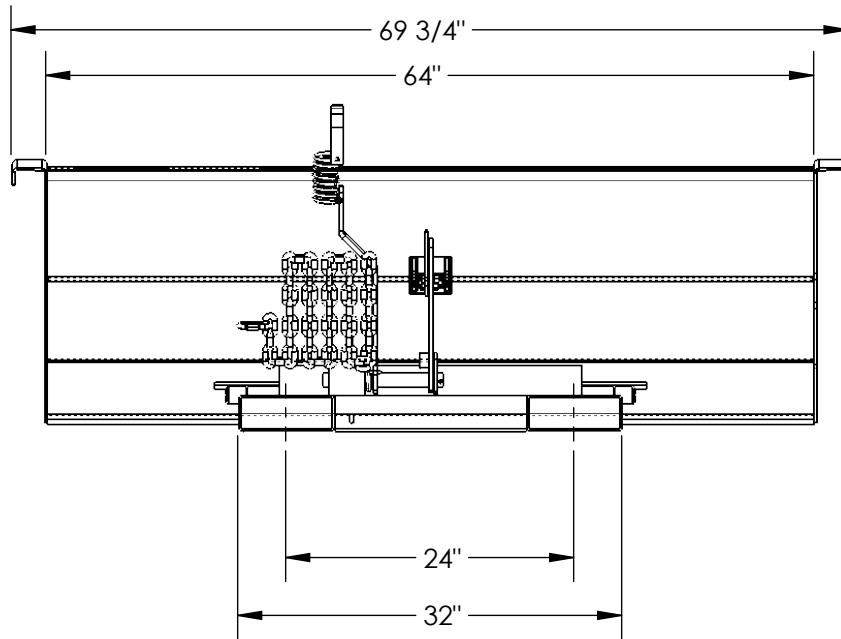


FORK MOUNTED FRONT LOADER - FL-4000

APPROX WEIGHT: 538.74 lbs.
DOES NOT INCLUDE WEIGHT OF POWER OR PACKAGING!!!

*** ANY ADDITIONS, DELETIONS, OR OMISSIONS MUST BE CORRECTED ON THIS DRAWING AS THIS DRAWING WILL BE CONSIDERED ALL INCLUSIVE ***

ALL GRAPHICS PROVIDED ARE FOR REFERENCE ONLY. IF CERTAIN DIMENSIONS ARE CRITICAL PLEASE VERIFY THOSE DIMENSIONS WITH YOUR SALESPERSON



STANDARD FEATURES

MODEL NUMBER: FL-4000
 WEIGHT CAPACITY: 4,000 LBS
 VOLUME CAPACITY: 1 1/3 CU YD (APPROX.)
 USABLE FORK POCKETS ARE 7 1/2" W X 2 1/2" H
 ON 24" CENTERS AND ARE 29 3/4" LONG
 RELEASE CABLE IS AT LEAST 48"
 SAFETY CHAIN TO SECURE UNIT TO FORK TRUCK
 OVERALL DIMENSIONS: 69 3/4" W x 63" L x 22 5/8" H
 DURABLE BAKED IN POWDER COATED BLUE FINISH
 APPROX. WEIGHT / LOST LOAD = 538.74
 MINIMUM EFFECTIVE THICKNESS = FORK LENGTH - 29 3/4"
 VERTICAL CENTER OF GRAVITY = 7 1/4"
 HORIZONTAL CENTER OF GRAVITY = 27 1/2"

SPECIAL FEATURES

NONE

DIMENSION TOLERANCE ± 1/4"

APPROVAL

I, THE UNDERSIGNED, AGREE THAT THE PRODUCT AS REPRESENTED SATISFIES DESIGN AND DIMENSION REQUIREMENTS. I ALSO ACKNOWLEDGE MY DUTY TO CONFIRM PRODUCT AND INSTALLATION COMPLIANCE WITH ALL APPLICABLE FEDERAL, STATE AND LOCAL REGULATIONS AND STANDARDS.
UNITS REQUIRING APPROVAL DRAWINGS OR MODIFIED ARE NON-RETURNABLE

As drawn As marked

Signed: _____ Date: _____

Printed Name: _____

LEAD TIME WILL START UPON RECEIPT OF SIGNED APPROVAL DRAWING

DISTRIBUTOR'S NAME:		P.O.#
VESTIL MANUFACTURING		X
DRAWN BY: BJW		W.O.#
DATE: 10/5/2013		X
REFERENCE: X	SCALE: 1:16	SALES: X
QUOTED LEAD TIME: X	QUOTE #	FILE NAME:
	X	37-007-020

NEVER EXCEED LOAD CENTER
 RATING PER FORKTRUCK
 MANUFACTURERS GUIDELINES.
 DO NOT USE THIS FORK TRUCK
 ATTACHMENT IF LOAD WILL EXCEED
 FORK TRUCK MANUFACTURER'S
 LOAD CENTER RATING