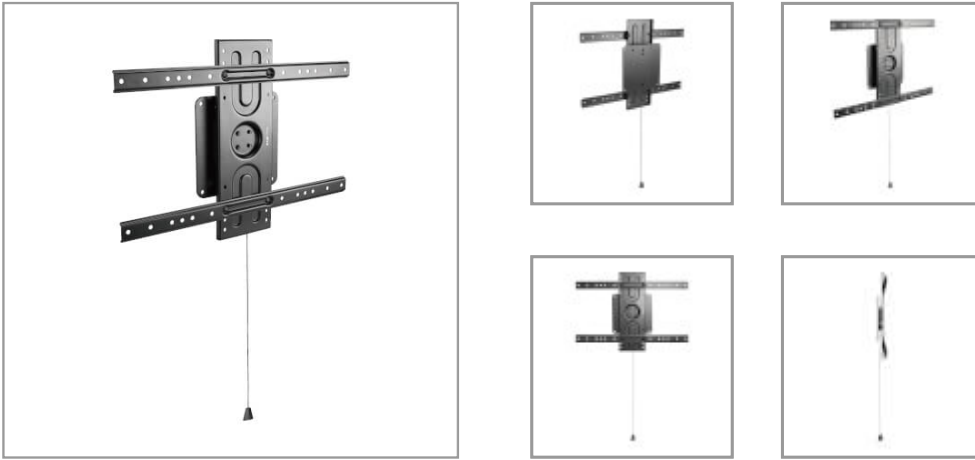


Portrait/Landscape Rotating TV Wall Mount for 37" to 80" Curved or Flat-Screen Displays

MODEL NUMBER: DWM3780ROT



Mounts your 37 to 80 in. television or whiteboard to a wall and allows easy rotation between portrait and landscape viewing modes.

Features

TV Wall Mount Lets You Match the Screen to Your Content with 1-Touch Rotation

The VESA-compliant DWM3780ROT allows 90-degree rotation by hand for a smooth transition between portrait and landscape orientations. The rotation does not require tools or removal of the display. Choose the view that works best with your content, such as portrait mode for making a list on an interactive display. You can fix the screen in either position.

Hardware Included for Efficient Wall Mounting

This rotating TV wall mount is compatible with most curved- or flat-screen televisions, monitors and interactive digital whiteboards, including Samsung Flip and Microsoft Surface Hub 2S, between 37 and 80 inches. Hardware is included for wall and display mounting. The DWM3780ROT is recommended for home theaters, classrooms, conference rooms, hotels, bars, restaurants and anywhere else requiring flexibility in display orientation.

VESA-Compliant Mounting Ensures Display Compatibility

VESA (Video Electronics Standards Association) promotes uniformity in the video electronics industry by developing standards for TVs and monitors. For hassle-free display compatibility, this TV wall mount supports the following VESA mounting hole patterns: 200 x 200, 300 x 200, 300 x 300, 350 x 350, 400 x 200, 400 x 300, 400 x 400, 400 x 600 and 600 x 400. A slide-in mounting plate allows easy installation.

Durable Metal Construction Holds Up to Multiple Rotations

The scratch-resistant powder-coated finish blends into any room décor and supports up to 110 pounds (50 kilograms). A built-in bubble level ensures an accurate display position.

Highlights

- Rotates 90° with a single touch for portrait or landscape viewing
- Supports most 37-80 in. curved- and flat-panel monitors and interactive displays
- Slide-in mounting plate provides easy installation and removal
- VESA compliance ensures compatibility with most popular mounting hole patterns
- Durable steel construction blends into any decor and supports up to 110 lb.

Applications

Easily switch between portrait and landscape modes to better accommodate your content, present a list or menu, or match the orientation of a source device

System Requirements

Television, monitor, digital whiteboard or interactive display from 37 to 80 in.

Package Includes

- DWM3780ROT Portrait/Landscape Rotating TV Wall Mount
- Mounting hardware
- Owner's manual

Specifications

OVERVIEW	
UPC Code	037332265753
Device Compatibility	Monitor/HDTV



Powering Business Worldwide

TRIPP LITE
SERIES

PHYSICAL	
Color	Black
Material of Construction	Steel
VESA Pattern (mm)	200x200; 200x300; 200x400; 300x200; 300x300; 300x400; 300x500; 300x600; 350x350; 400x200; 400x300; 400x400; 400x500; 400x600; 500x300; 500x400; 600x300; 600x400
Motion	Full
Mounting Location	Wall
Degrees of Motion	90 Rotate
Distance from Wall (in.)	1.81
Distance from Wall (cm)	5
Distance from Wall (mm)	46
Minimum Screen Size (in.)	37
Minimum Screen Size (cm)	93.98
Maximum Screen Size (in.)	80
Maximum Screen Size (cm)	203.2
Maximum Weight Capacity (lbs.)	110
Maximum Weight Capacity (kg)	50
Number of Displays	1
Shipping Dimensions (hwd / in.)	23.60 x 10.00 x 1.73
Shipping Weight (kg)	4.58
Unit Dimensions (hwd / in.)	1.800 x 24.800 x 17.700
Unit Dimensions (hwd / cm)	4.6 x 63 x 45
Unit Weight (lbs.)	8.3
Unit Weight (kg)	3.76
Assembly Required	Yes
FEATURES & SPECIFICATIONS	
Antimicrobial	No
Cord Management	No
Tools Necessary	Yes
Security Lock	No
STANDARDS & COMPLIANCE	
Product Compliance	RoHS; RoHS3; REACH
WARRANTY & SUPPORT	
Product Warranty Period (Worldwide)	5-year limited warranty



Powering Business Worldwide

TRIPP LITE
SERIES

1000 Eaton Boulevard
Cleveland, OH 44122
United States
<https://tripplite.eaton.com>

© 2024 Eaton. All Rights Reserved.
Eaton is a registered trademark. All other trademarks
are the property of their respective owners.