

ZM-9012

REMOTE CONTROL PANEL



Designed for exclusive use with the 9000M2 Series or M-864D, the ZM-9012 is a wall mounted remote control panel having a volume control knob. It is used in conjunction with the RC-001T Remote control module or M-864D. It can be mounted in a standard 1-gang electrical box in the wall.

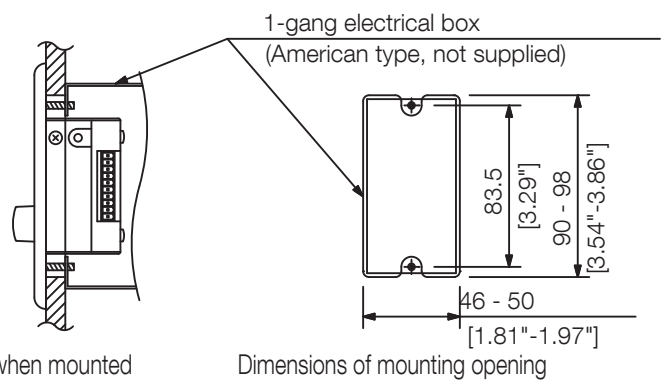
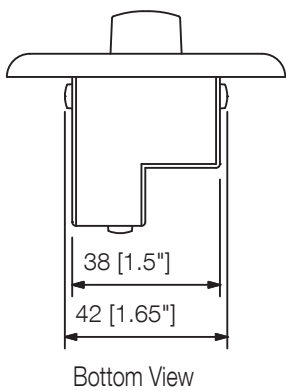
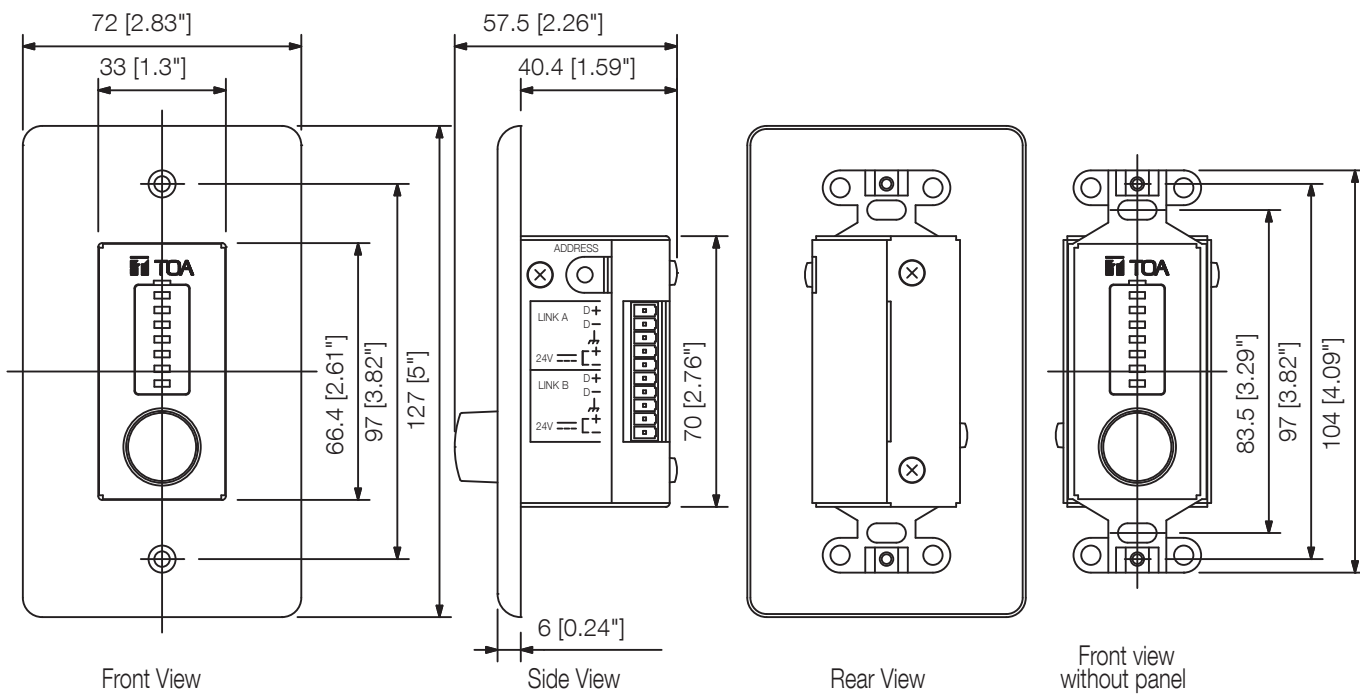
Key features

- Rotary encoder can be assigned to control any input or output volume

Specifications

Power Source	24 V DC (supplied from RC-001T or M-864D)
Current Consumption	50 mA or less
Control	1 volume control
Indicator	Level indicators (green LEDs)
Cable Requirements	Shielded CPEV cable (paired data line and paired power line) or Category 5 twisted pair cable for LAN (CAT5-STP)
Terminal	Removable terminal block (10 pins)
Operating Temperature	0 °C to +40 °C (32 °F to 104 °F)
Operating Humidity	35 % to 80 %RH (no condensation)
Finish	Surface-treated steel plate, white, paint
Dimensions	72 (W) x 127 (H) x 57.5 (D) mm (2.83 x 5" x 2.26")"
Weight	208 g (0.46 lb)
Included Accessories	Box mounting screw (No.6-32UNC x 30) ...2, Box mounting screw (M4 x 30) ...2, Panel mounting screw ...2, Removable terminal plug (10 pins) ...1

Dimensions



If the opening is too small or too large, the ZM-9012 cannot be mounted in the wall. Be sure to make an opening with dimensions given above when mounting.

UNIT:mm SCALE:1/2

A&E specifications

Bi-directional remote control unit for the full digital mixer M-9000M2. Endless Rotary plates to adjust the volume of any group of channels. A seven-digit LED display shows the current volume level. Simple flush-mounted installation.

Height: 12,7 cm

Depth: 5,6 cm

Width: 7,2 cm