

YS-151S

SWIVEL BRACKET



The YS-151S is a swivel bracket for mounting small horn speakers (not usable for car mounting). It permits the adjustment of the speaker installation angle for up to 360° horizontal and 180° vertical. The YS-151S features the strong, weather-resistant construction made of zinc.

Key features

Specifications

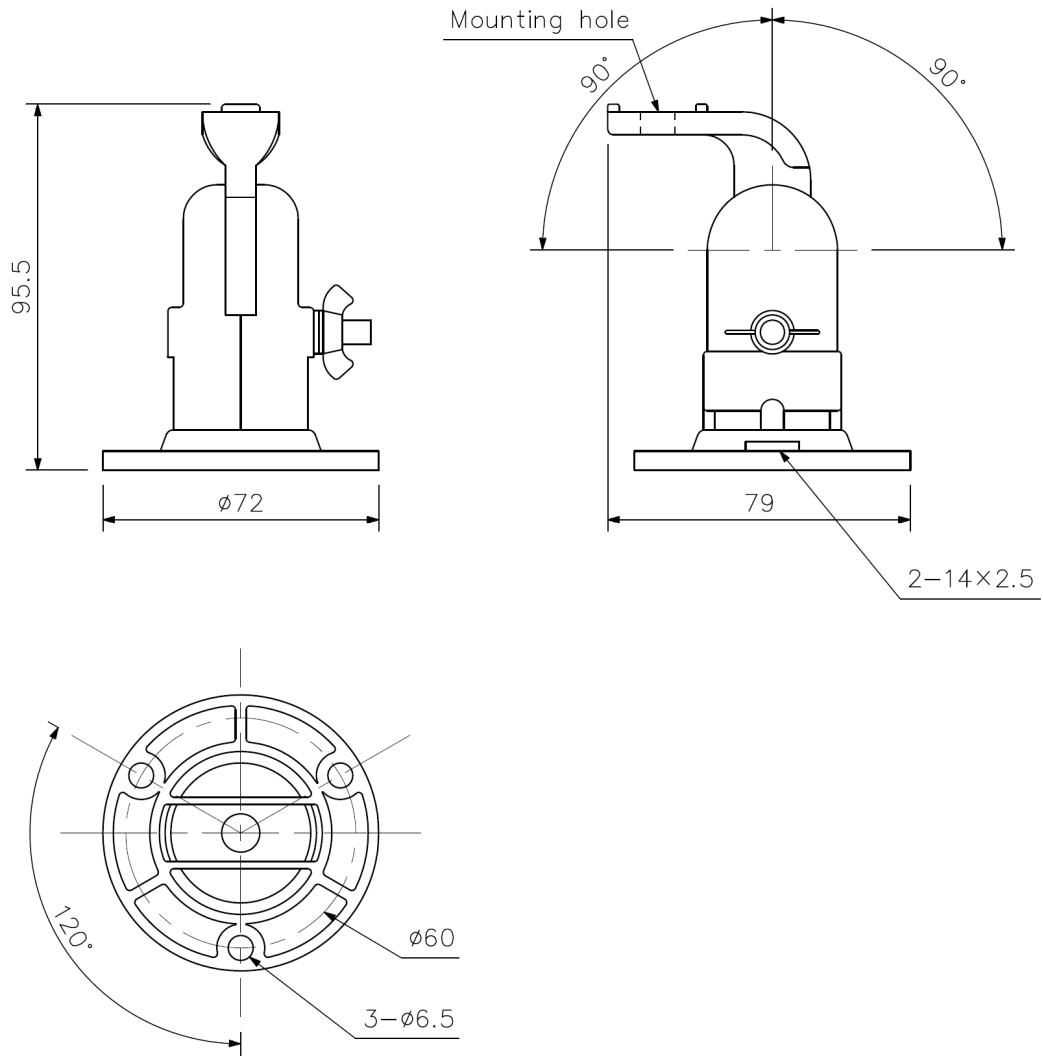
Mounting Method	Mounting using 1. M6 bolt (3 pcs) 2. G16 cable pipe 3. Band
Compatible Speaker	SC-610, SC-610M, SC-610T, SC-615, SC-615M, SC-615T, SC-630, SC-630M, SC-630T, SC-630TU
Finish	Bracket : Zinc, black, paint Hexgon headed bolt, butterfly nut, coiled spring, and washer: Stainless steel
Weight	430 g

Note

(1) Cable pipe (G16) can be directly connected if the base is removed by loosening the butterfly nut.

(2) Bands should only be used for temporary mounting. Avoid using the bands in a vibratory place or in a place that exposes the unit to harsh weather conditions.

Dimensions



UNIT: mm