

YC-841

BACK BOX



The YC-841 is a back box specially designed for the N-8033MS flush-mount master station.

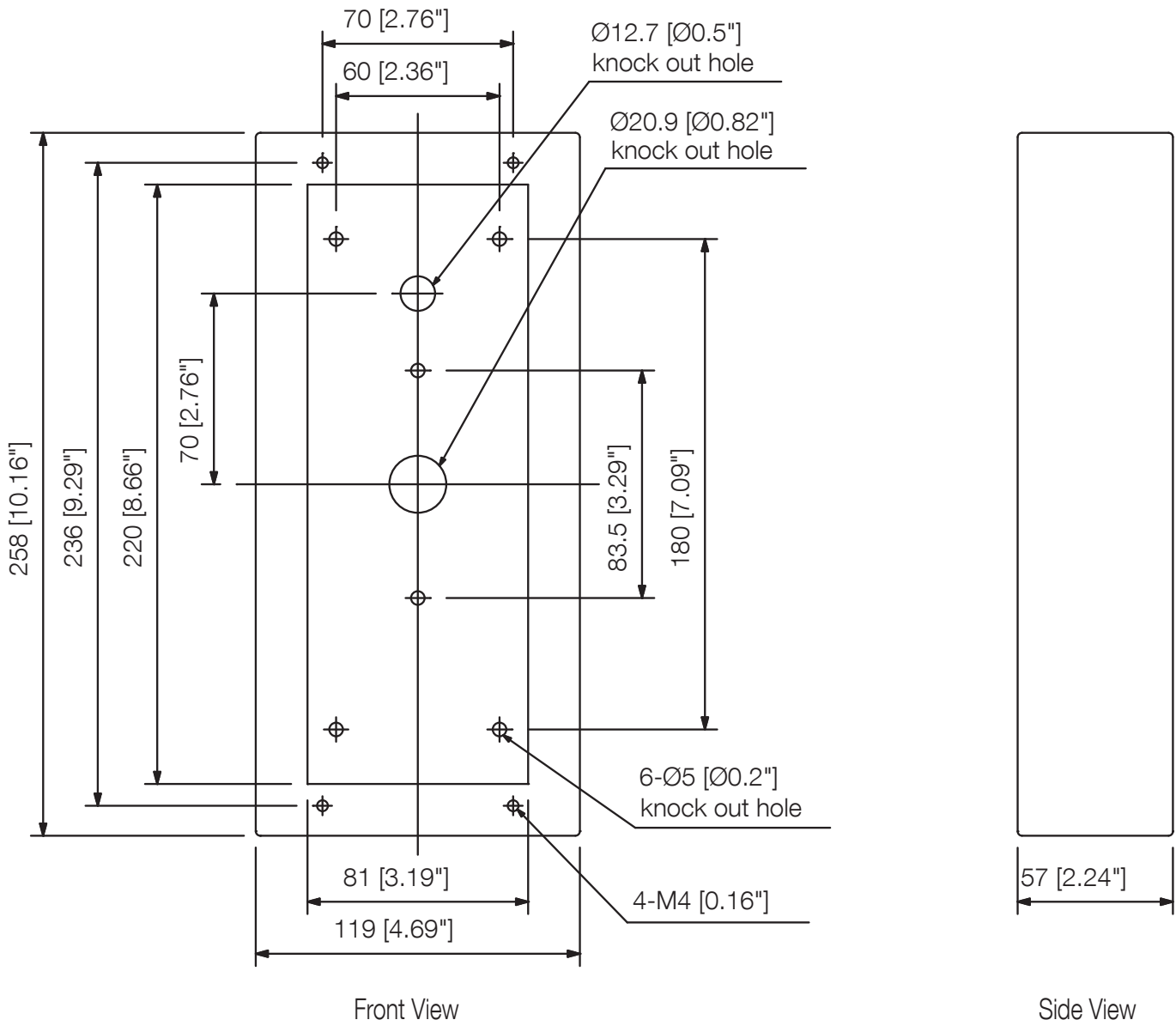
Key features

- Designed to surface-mount N-8033MS on a wall

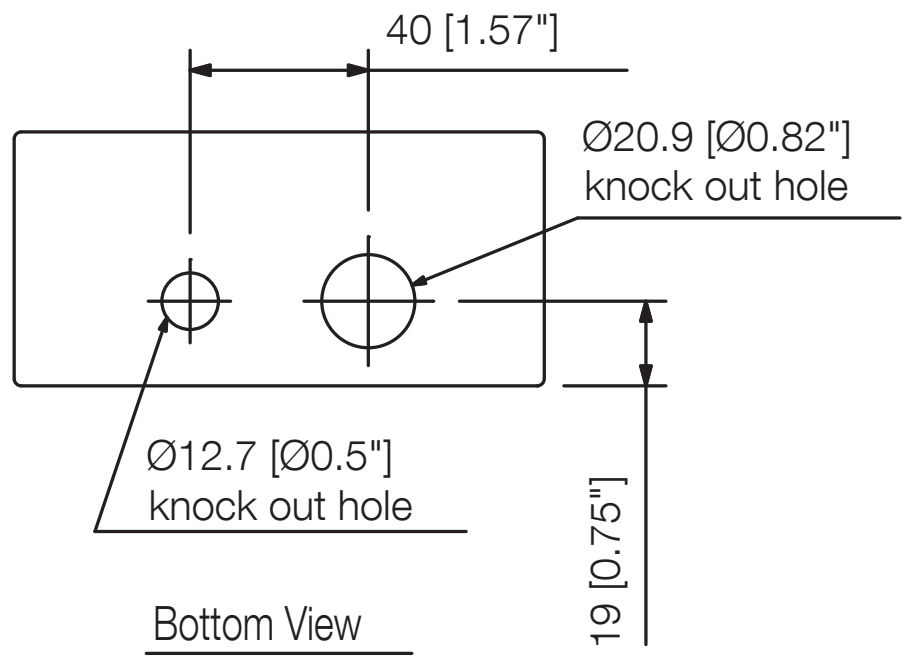
Specifications

Finish	Surface-treated steel plate, white
Dimensions	119 (W) x 258 (H) x 57 (D) mm (4.69 x 10.16" x 2.24")
Weight	1 kg (2.2 lb)
Included Accessories	Wall mounting screw ...4

Dimensions



Dimensions



UNIT:mm

SCALE:1/3