

YC-290

WALL MOUNT BRACKET



The YC-290 is a wall-mounting bracket specially designed for the Hands-free master station of the N-8000 series Packet Intercom system. The master station can be installed on a wall or its front operation panel can be inclined from the desk surface by attaching the YC-290.

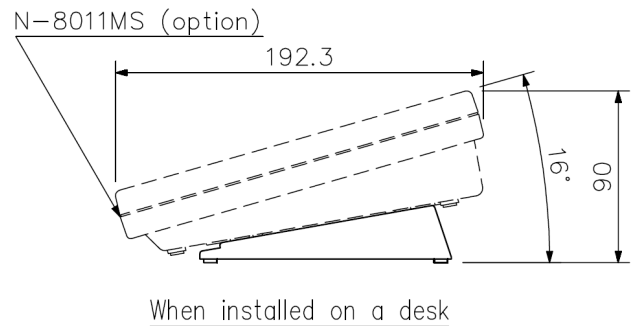
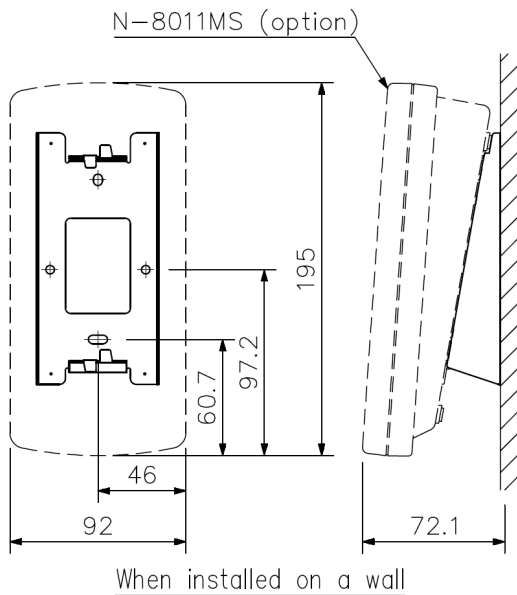
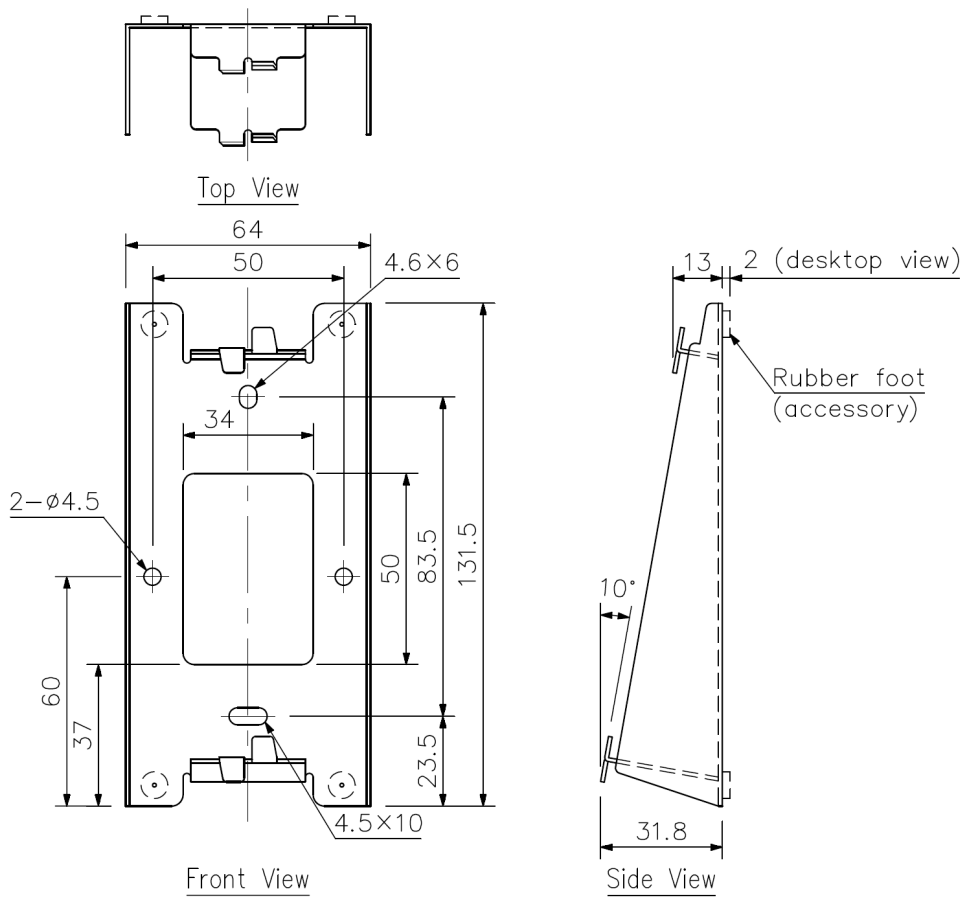
Key features

- Designed to mount N-8011MS on a wall

Specifications

Finish	Surface-treated steel plate, gray, paint
Dimensions	64 (W) x 131.5 (H) x 31.8 (D) mm
Weight	100 g
Included Accessories	Screw for wall mounting (wood screw) x 2, Rubber foot x 4
Use with	N-8011MS

Dimensions



Installasion view

UNIT:mm