

YC-241

BACK BOX FOR YC-240M/S



The YC-241 back box is used with the N-8031MS Flush-Mount Hands-Free Master Station.

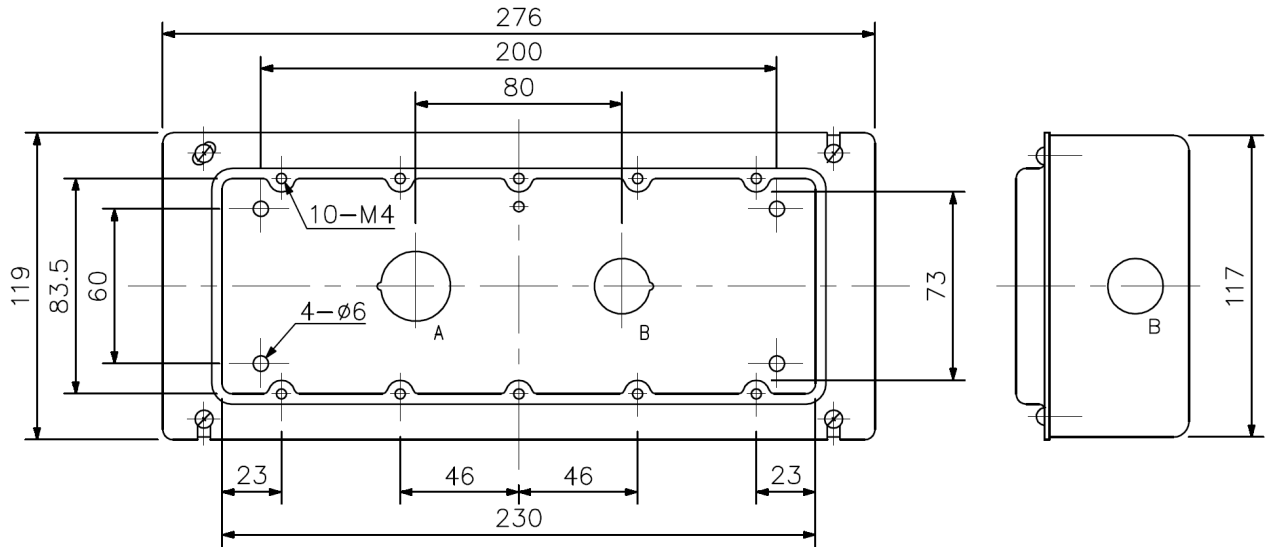
Key features

- Designed to surface-mount N-8031MS in a wall

Specifications

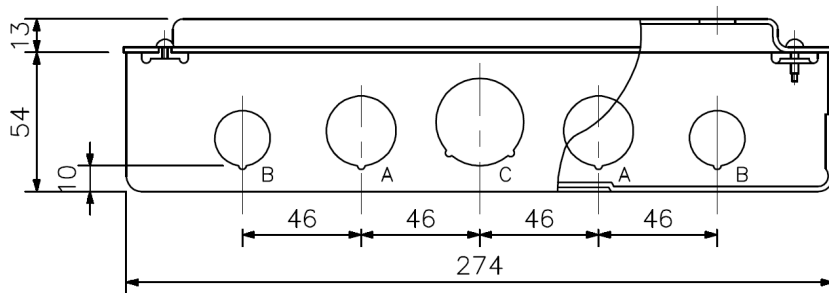
Finish	Colored chrome plating
Dimensions	276 (W) x 119 (H) x 67 (D) mm
Weight	1.1 kg

Dimensions



Front View

Side View



Bottom View

Dimension of knockout hole
 A: 27.1
 B: 21.5
 C: 34

UNIT:mm