

## YC-150

### BACK BOX



The YC-150 back box is designed to flush-mount PC-391/391T Wall Flush-Mount Speaker and N-8000 Series Door Stations in a wall.

### Key features

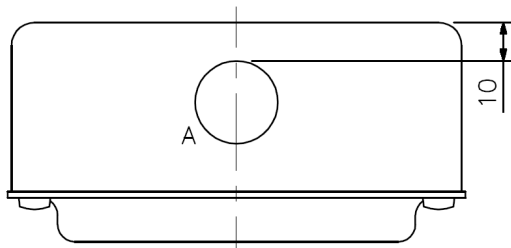
- Applicable models : PC-391, PC-391T, N-8050DS, N-8640DS and N-8650DS

## Specifications

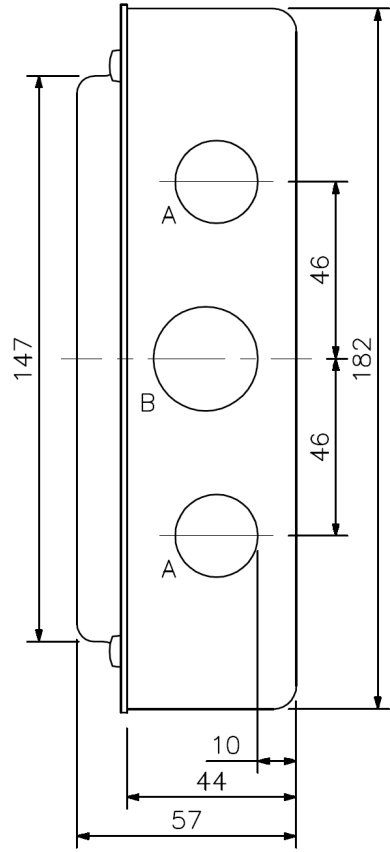
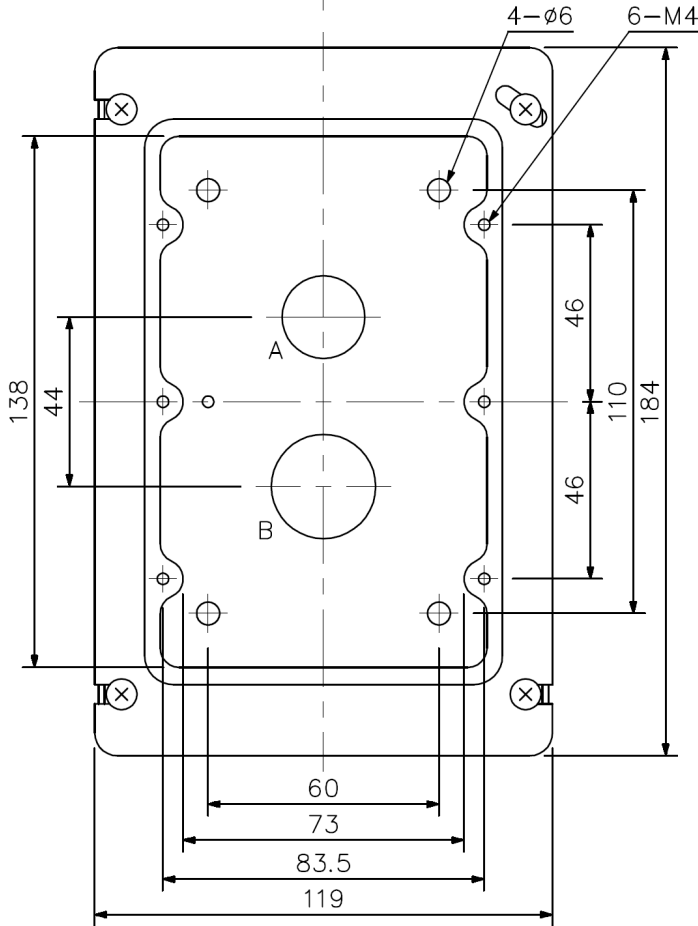
Finish	Zinc-plating, t1.6
Dimensions	184 (W) x 119 (H) x 57 (D) mm
Weight	700 g

# Dimensions

Top View

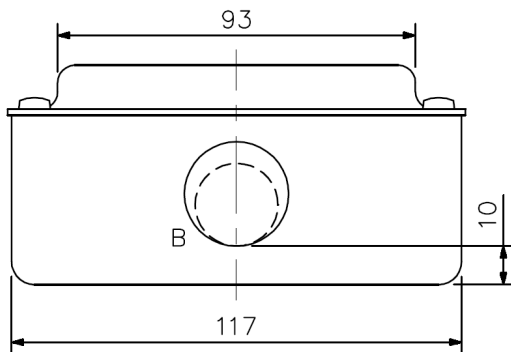


Front View



Side View

Bottom View



Dimension of knockout hole

A: 21.5

B: 27.1

UNIT: mm

## A&E specifications

\*UNDEFINED TEXT\*