

VX-300LO AMQ

LINE OUTPUT MODULE



The VX-300LO AMQ is a module that outputs the VX-3000F's audio signals at the line level. Designed to be installed in the VX-3000F, it outputs audio signals from the VX-3000F to an external device.

Key features

- Line output module to be mounted in the VX-3000 frame
- Outputs audio signals at the line level from the VX-3000 Frame to an external device

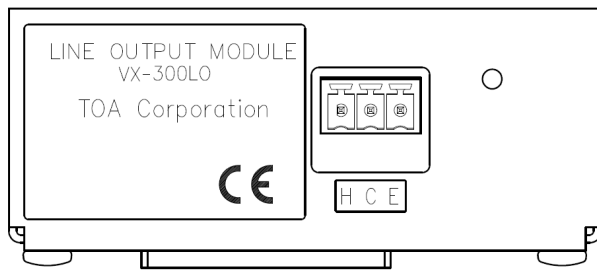
Specifications

Power Source	Supplied from the VX-3000 Frame (DA CONTROL LINK)
Current Consumption	*1 Max. 2 mA (Current through DC POWER IN)
Input	DA CONTROL LINK: Connector (15 pins)
Audio Output	*1 1 channel Output signal level: 0 dB*2 Adjustable range of the volume control knob: $-\infty$ to 0 dB Output method: 10 k Ω , transformer-balanced Applicable load impedance: 2 k Ω or more Frequency Response: 40 Hz – 20 kHz \pm 1 dB Distortion: 1 % or less (0 dB*2 output, 1 kHz) Signal to Noise Ratio: 60 dB or more Removable terminal block (3 pins)
Operating Temperature	0 °C to 40 °C (32°F to 104 °F)
Operating Humidity	90% RH or less (no condensation)
Finish	Surface-treated steel plate
Dimensions	76 (W) x 39 (H) x 33.2 (D) mm (2.99" x 1.54" x 1.31")
Weight	56 g (0.12 lb)
Included Accessories	DA CONTROL LINK CABLE x 1, Removable terminal plug (3 pins) x 1, Mount base for cable binding x 2, Fixing screw x 1

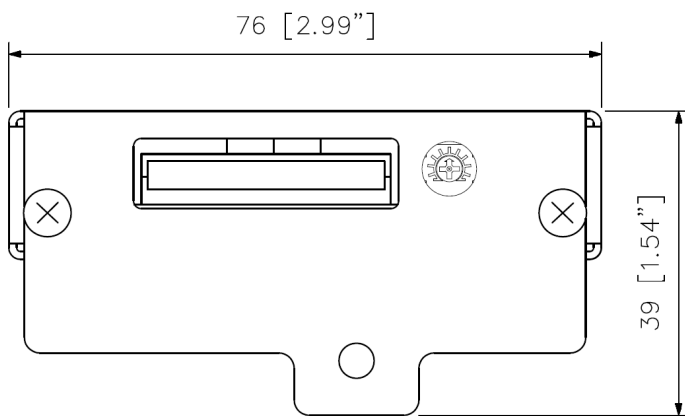
*1 When installed in the VX-3000 Frame

*2 0 dB = 1 V

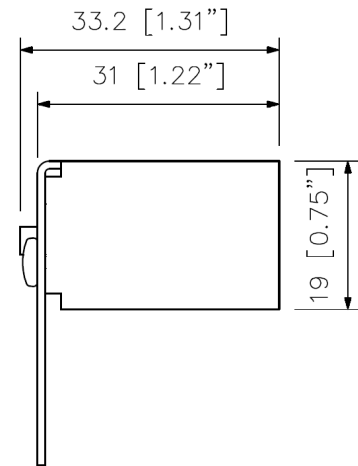
Dimensions



Top View



Front View



Side View

UNIT:mm