

TS-919B1

BRIDGE UNIT



The TS-919B1 is a Bridge unit for connecting a single Wired Conference unit of the TS-811, TS-911, TS-812, or TS-912. It connects to the conference unit with a Category 5 cable.

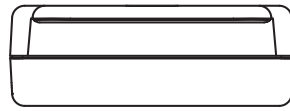
Key features

- Bridge units for connecting single wired conference unit of the TS-911 or TS-912 types
- Connected to the conference unit by means of CAT5 Cable

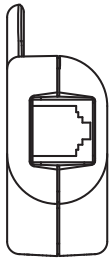
Specifications

Power Source	24 V DC (supplied from the TS-918 Expansion Unit (option))
Current Consumption	Max. 16 mA
Branching Loss	Upstream: 16.5 dB Downstream: 16 dB
Insertion Loss	Upstream: 1 dB Downstream: 0.5 dB
Connection Terminal	Communication cable connection terminal: RJ45 connector x 2 Conference unit connection terminal: RJ45 connector
LED Indicator	Connection status indicator
Number of Connectable Conference Units	1 unit
Operating Temperature	0 # to +40 # (32 # to 104 #)
Operating Humidity	90 %RH or less (no condensation)
Finish	ABS resin, black
Dimensions	68 (W) x 60.3 (H) x 24 (D) mm (2.68 x 2.37" x 0.94")
Weight	40 g (1.41 oz)

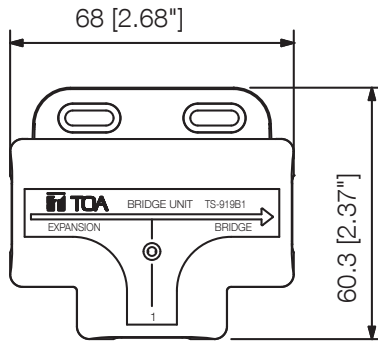
Dimensions



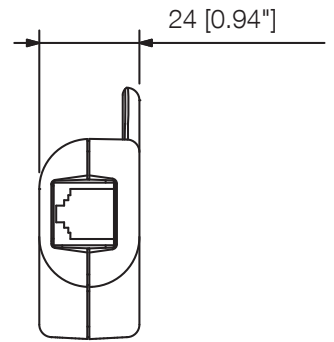
Top View



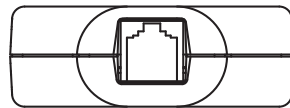
Left Side View



Front View



Right Side View



Bottom View

UNIT:mm

SCALE:1/2

A&E specifications

The Bridge Unit shall be used for connecting a single wired Chairperson/Delegate unit. The Bridge unit shall be directly connected to the dedicated Expansion unit which is connected to the Central unit. Connection between each Bridge unit and the Expansion unit or Chairperson/Delegate unit shall be made with a single CAT-5 LAN cable.

The Bridge Unit shall be the TOA model TS-919B1.