

## TC-651M

### REFLEX HORN SPEAKER



The TC-651M is a highly intelligible, general-purpose speaker suited to public address announcement applications. Its external speaker component finished with powder coating, and stainless steel screws ensure the unit's weatherproof capability.

### Key features

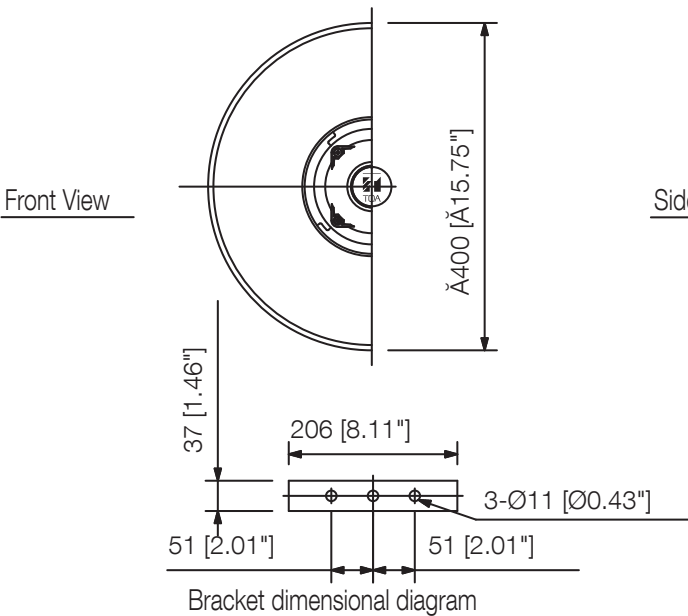
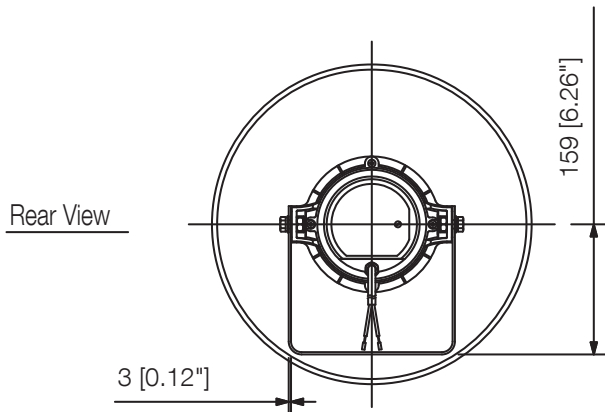
- High Intelligibility
- Weatherproof for outdoor application
- Stainless steel hardware (screws, bolts, nuts), and powder-coated horn and bracket ensure superb weatherproofing and corrosion-resistance
- Shock-resistant aluminum round horn
- With 600 mm cable

## Specifications

Rated Input	50 W
Rated Impedance	100 V line: 200 $\Omega$ (50 W), 330 $\Omega$ (30 W), 670 $\Omega$ (15 W) 70 V line: 100 $\Omega$ (50 W), 200 $\Omega$ (25 W), 330 $\Omega$ (15 W), 670 $\Omega$ (7.5 W)
Sensitivity	111 dB (1 W, 1 m)
Frequency Response	200 Hz - 6 kHz
Polarity	Hot: Black, Com: White
Dust/Water Protection	IP65
Operating Temperature	-20 °C to +60 °C (-4 °F to 140 °F) (must be free from dew condensation)
Finish	Horn flare: Aluminum, off-white, powder coating Reflector horn: ABS resin, off-white Bracket holder: Aluminum, white, powder coating Bracket: Steel, gray, powder coating Rear cover: ABS resin, gray Screw and bolts: Stainless steel Speaker Cable: Polyvinyl chloride insulated cable (6 mm (0.24) in diameter)
Dimensions	Ø400 (W) x 376 (D) mm (Ø15.75 x 14.8")
Weight	4 kg (8.82 lb)

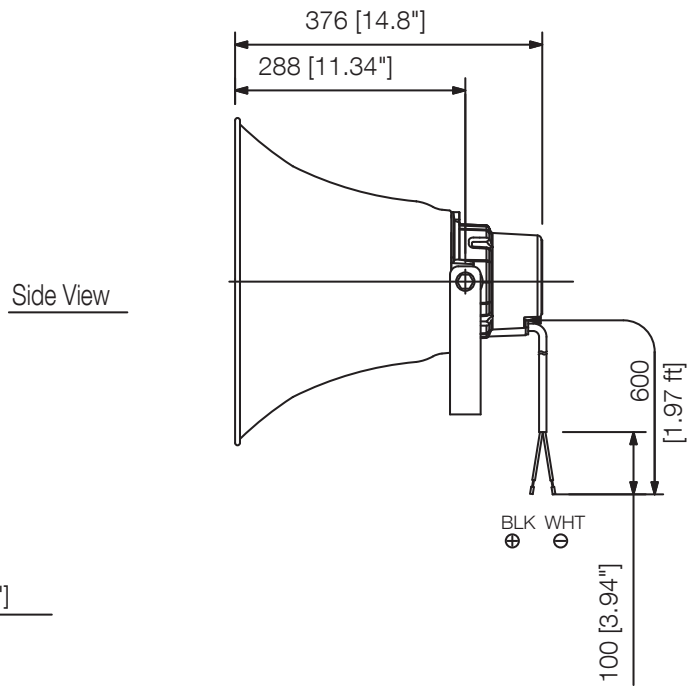
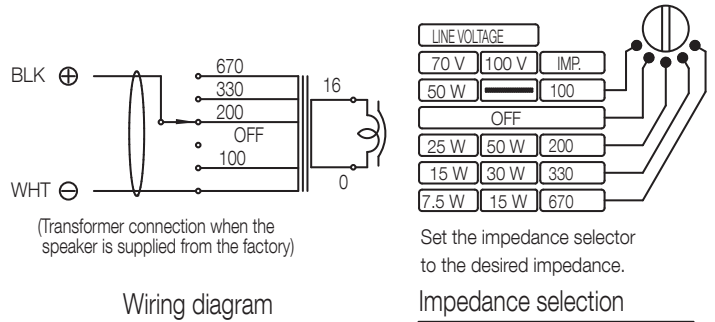
Note: Avoid installing the speaker in locations which vibrate considerably or under environments easy to be oil-contaminated.

# Dimensions



UNIT:mm SCALE:1/10

CAUTION  
NEVER SET THE SWITCH TO " " POSIT FOR  
FOR 100 V LINE OPERATION, AS DOING SO MAY  
RESULT IN DAMAGE TO THE SPEAKER.



## A&E specifications

The specified horn speaker shall be designed especially for outdoor applications. The horn speaker shall be a reflex horn type suitable for paging and tone signaling distribution. The speaker component shall be a compression driver with a polyimide diaphragm to prevent deformation from heat and improve low frequency characteristics. The horn speaker shall be a horn speaker that has been proved to provide 100 or more hours of operation at 50W in a continuous load test employing a test signal that meets the International Electrotechnical Commission (IEC) 60268-1: 1985 standard. Power handling shall be 50 W. Rated impedance shall be selectable (200 ohms, 330 ohms, 670 ohms for 100V line; 100 ohms, 200 ohms, 330 ohms and 670 ohms for 70 V line). The sensitivity measured at 1m with 1 W of power shall be 111 dB. Frequency response shall be 200 Hz to 6k Hz.

Horizontal and vertical dispersion at -6 dB below the on-axis reference at 2k Hz shall be 50° (H) x 50° (V). The paging horn shall comply with the IEC IP65 standard for dust and water resistance and operate within a temperature range from -20°C to +60°C (-4°F to +140°F). The speaker shall feature shock-resistant aluminum oval horn. The mounting bracket, bracket holder and the horn flare shall be treated with 50-micron thick powder paint coating, and external hardware (screws, bolts, nuts) shall be made of stainless steel. The paging horn shall include an integral speaker cable, insulated polyvinyl chloride type, with strain-relief, 6 mm (0.24") diameter and 600 mm (1.97') length. Dimensions shall be  $\varnothing 400 \times 376(D)$  mm ( $\varnothing 15.75" \times 14.8"$ ). Weight shall be 4 kg (8.82 lb). The reflex horn speaker shall be TOA model TC-651M or equivalent.