

SR-WB4WP

WALL MOUNTING BRACKET



The SR-WB4WP bracket is used to mount the SR-S4LWP Line array speaker upright to the wall.

Key features

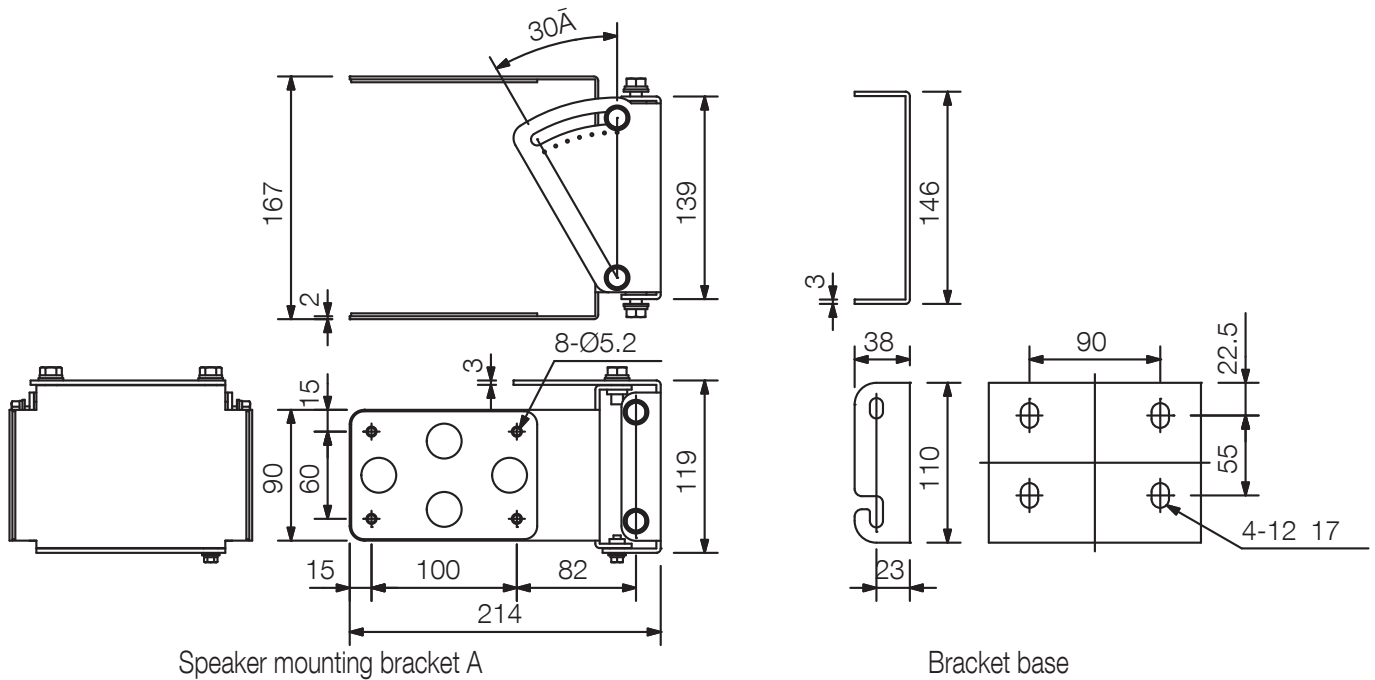
- outdoor use

Specifications

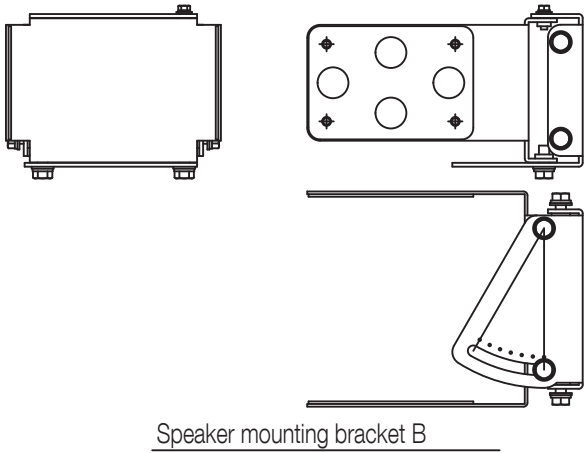
Number of Speakers to be Mounted	Max. 2 (when jointed with an optional SR-EP4WP)
Finish	Stainless steel
Weight	4.3 kg (including accessories)
Included Accessories	Bracket assembling screw (M8 upset head) ...8
Optional Accessories	Extension plate: SR-EP4WP
Product Composition	Speaker mounting bracket A ...1, Speaker mounting bracket B ...1, Bracket base ...2

Note: The speaker fixing screws are not supplied with the unit. Use the attached screws on both sides of speaker.

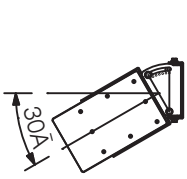
Dimensions



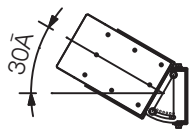
Dimensions



Speaker mounting bracket B



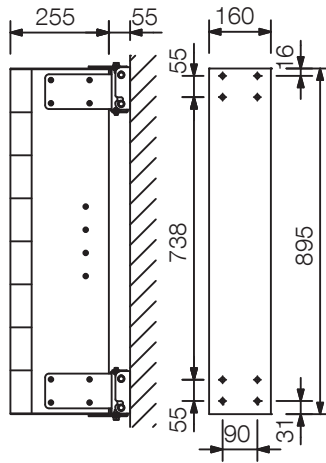
(When Bracket A is attached to the upper part of the speaker.)



(When Bracket B is attached to the upper part of the speaker.)

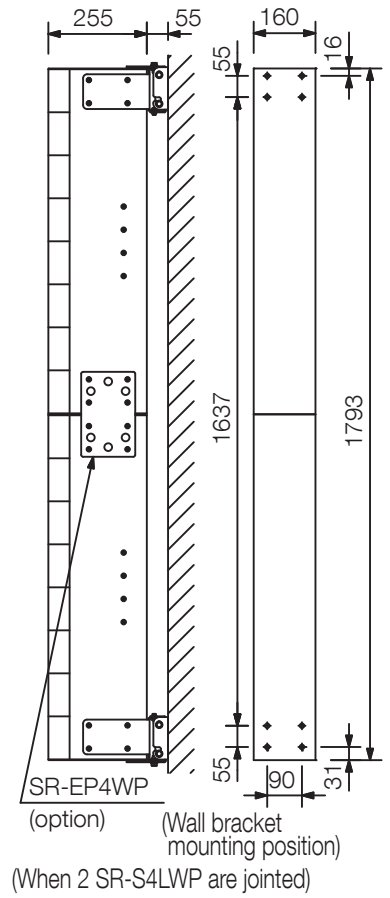
Note: When Speaker Bracket A is attached to the upper part of the speaker, the speaker can be tilted right at an angle of up to 30°. When Speaker Bracket B is attached to the upper part of the speaker, the speaker can be tilted left at an angle of up to 30°.

UNIT:mm SCALE:1/6



(Wall bracket mounting position)
(When installing one SR-S4LWP)

Mounting example (scale: 1/20)



(option) (Wall bracket mounting position)
(When 2 SR-S4LWP are joined)

A&E specifications

Weatherproof wall mounting kit for one or two (with SR EP4WP) slim line array speaker SR S4LWP, swiveling according to mounting horizontally to 30 ° to the left or right, including all accessories for mounting the speaker. Solid construction made of stainless steel.