

SR-TP8

TILT JOINT BRACKET



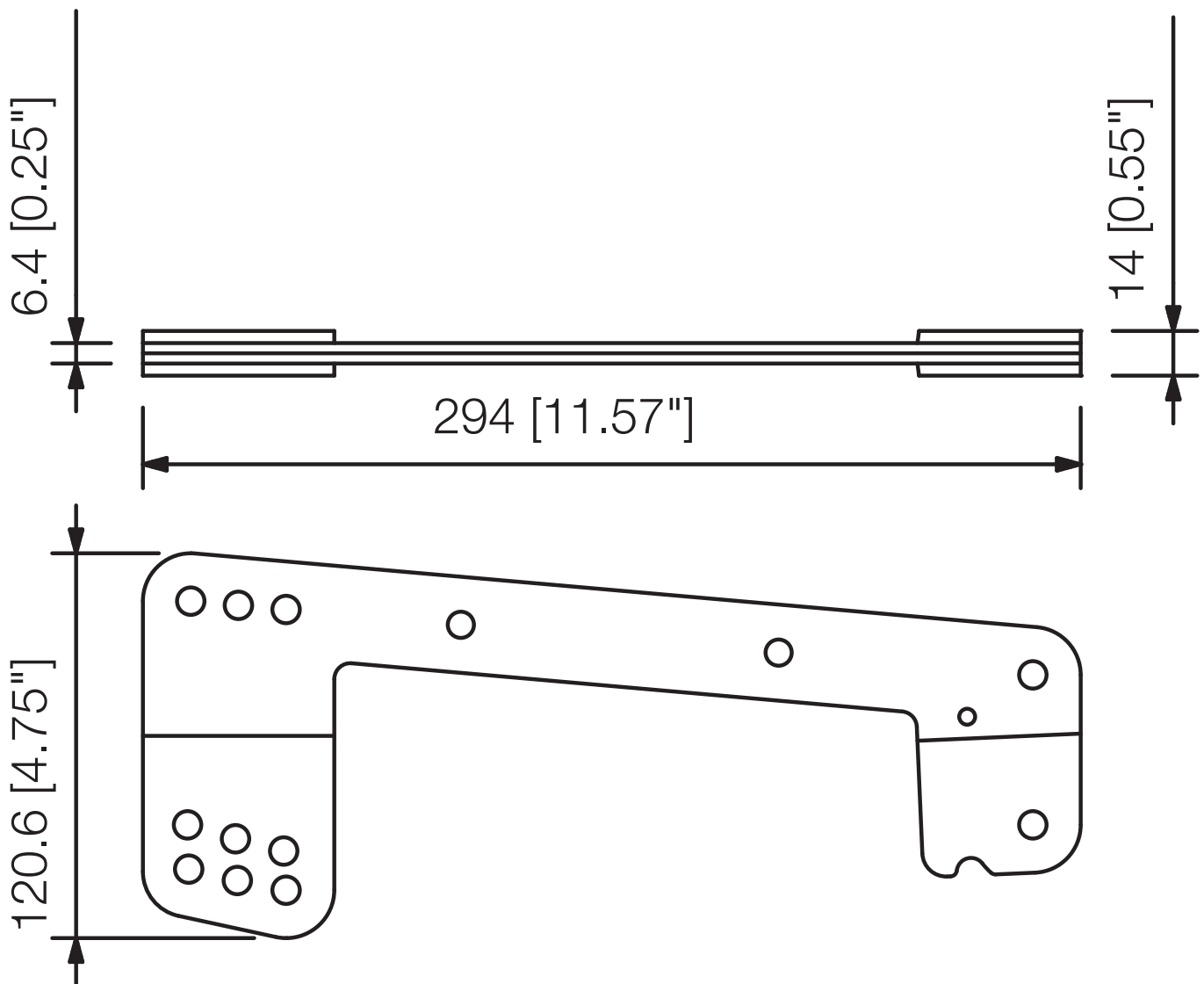
The SR-TP8 Tilt Joint Bracket is designed to tilt the line array speaker in the lowermost position downward when stacked. It comes in a set of 2 brackets.

Key features

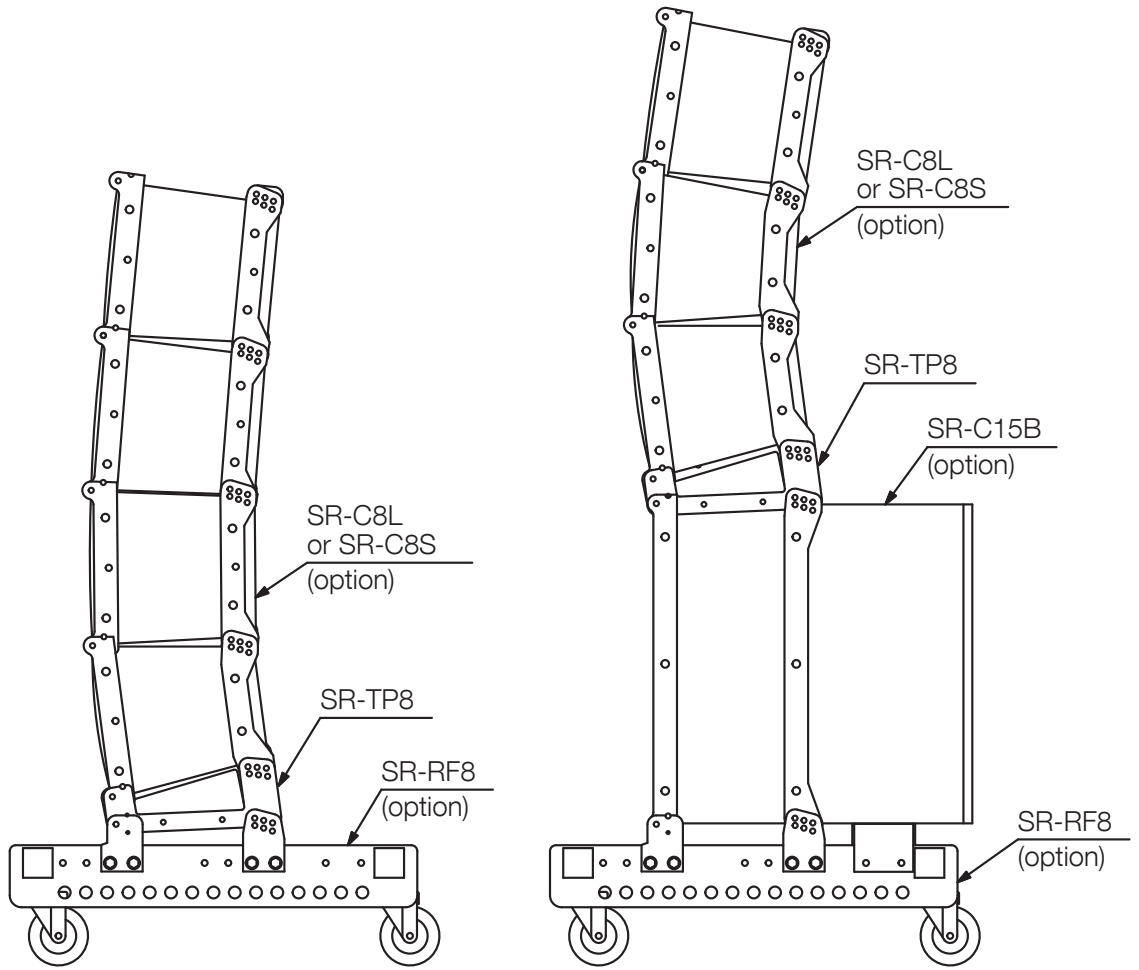
Specifications

Variable Angle Range to be Mounted	5° - 15°
Compatible Speaker	SR-C8L, SR-C8S
Finish	Steel plate, black, paint
Weight	1.7 kg (3.75 lb) (1 pair)

Dimensions



Dimensions



Note: Casters are required by use.

UNIT:mm

SCALE:1/5

Example of stacked system (scale:1/15)

A&E specifications

UNDEFINED TEXT