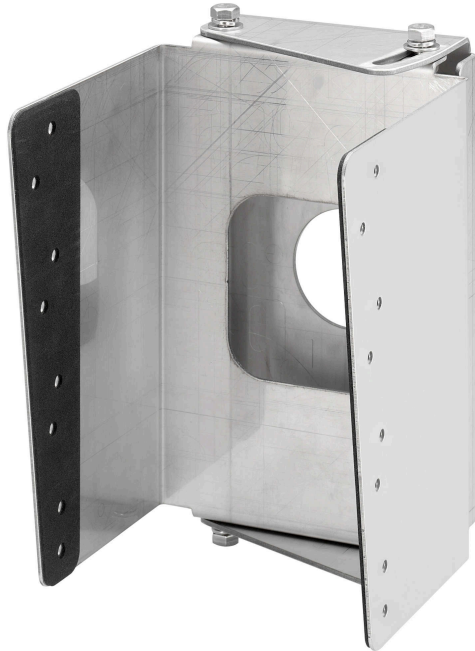


## SR-TB4WP

### WALL TILT BRACKET

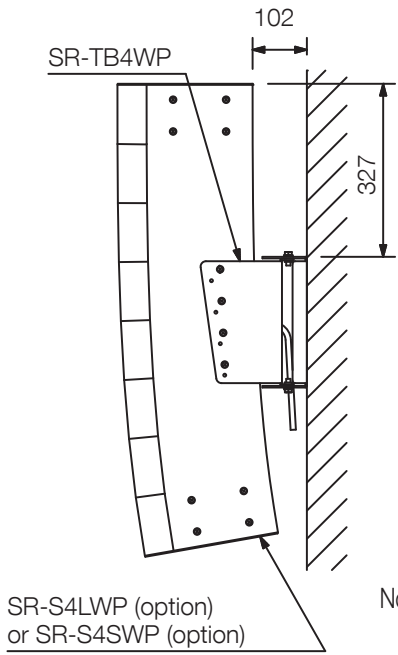


The SR-TB4WP is designed to be used to mount the Line Array Speaker system SR-S4LWP or SR-S4SWP on a wall. The downward angle can be set to either 0° or 5°, and the horizontal angle to up to 20°.

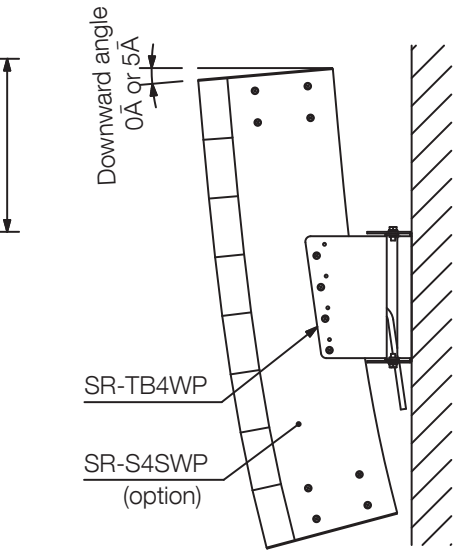
### Key features



# Dimensions

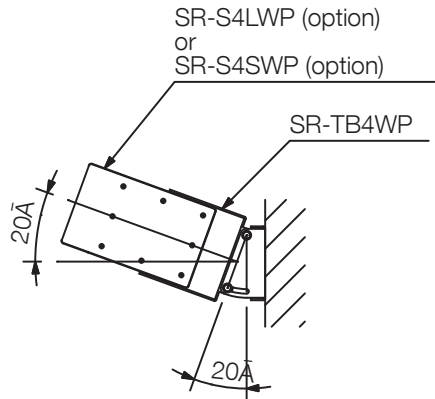


UNIT:mm SCALE:1/6



Note: When using the SR-S4SWP Line array speaker, it can be tilted downward at an angle of 0° or 5°.

Mounting example (scale: 1/15)



(View from the top)

Note: Installing the wall bracket shown in the figure permits the speaker to be tilted left at an angle of up to 20°. Reversing the top and bottom wall bracket positions shown in the figure permits the speaker to be tilted right at an angle of up to 20°.

## A&E specifications

Weatherproof wall mounting kit for slim line array speaker SR-S4L or SR-S4S, to 0° - 20° swivel and tilt 0° 5°. Solid construction made of stainless steel.