

SR-TB4

WALL TILT BRACKET



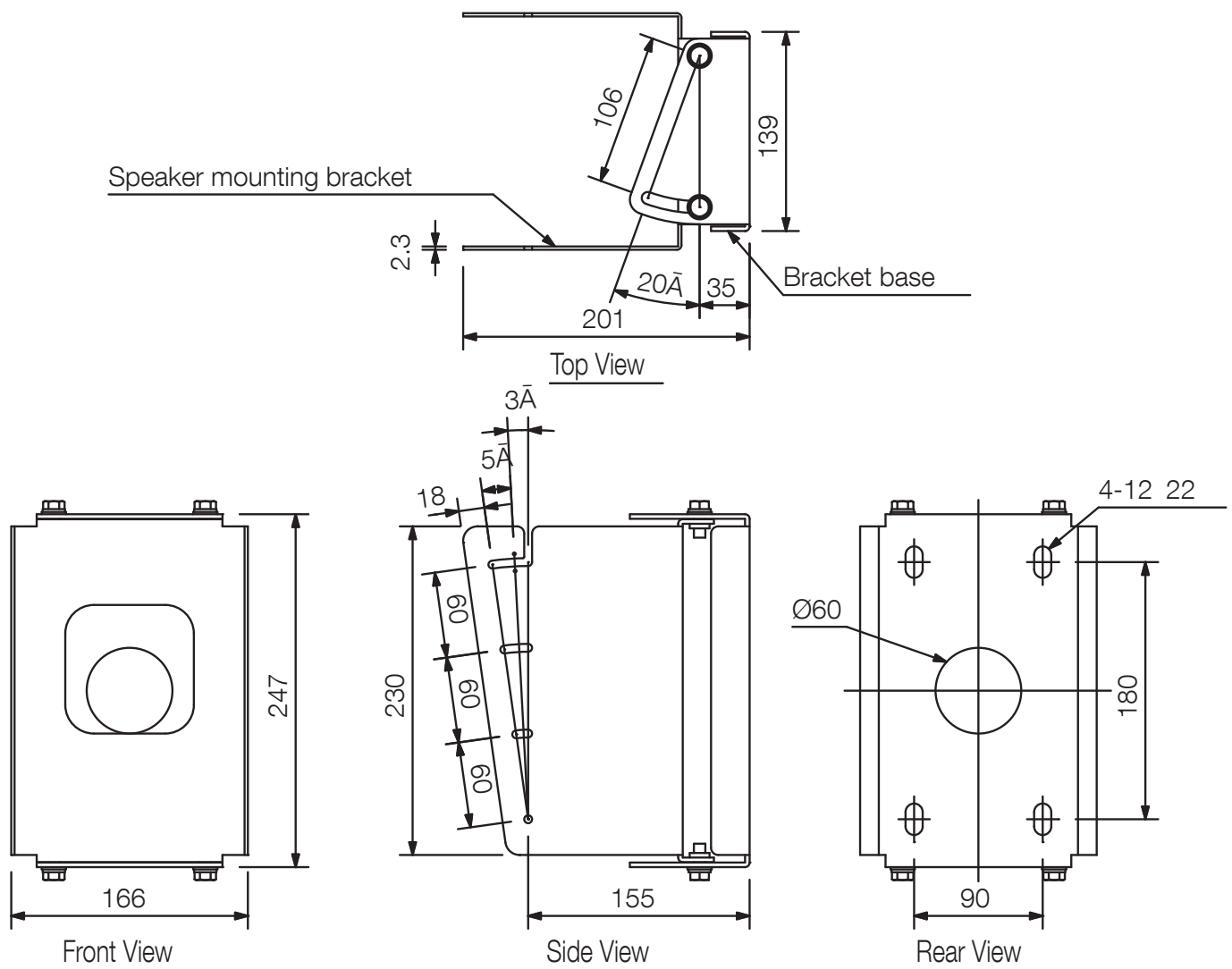
The SR-TB4 is designed to be used to mount the Line Array Speaker system SR-S4L or SR-S4S on a wall. The downward angle can be set to 0° - 5°, and the horizontal angle to up to 20°.

Key features

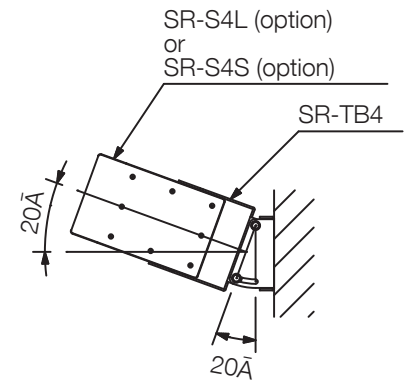
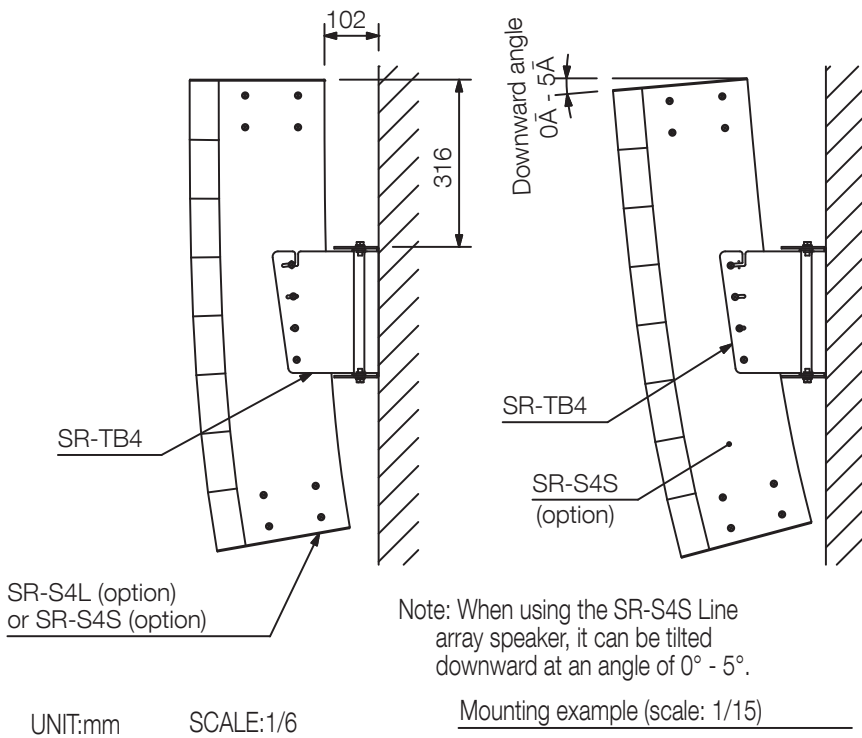
Specifications

Number of Speakers to be Mounted	1
Finish	Steel plate, white, paint
Dimensions	166 (W) x 247 (H) x 201 (D) mm (complete assembly)
Weight	3.2 kg
Included Accessories	Bracket assembling screw (M8 upset head) ...4, Speaker mounting screw (M5 upset head) ...8
Product Composition	Speaker mounting bracket ...1, Bracket base ...1

Dimensions



Dimensions



(View from the top)

Note: Installing the wall bracket shown in the figure permits the speaker to be tilted left at an angle of up to 20°. Reversing the top and bottom wall bracket positions shown in the figure permits the speaker to be tilted right at an angle of up to 20°.

A&E specifications

Wall mounting kit for slim line array speaker SR-S4L or SR-S4S, to 0° - 20° swivel and tilt 0° 5°. Solid construction made of white painted steel sheet.