

SR-SB8

RIGGING SUPPORT BRACKET



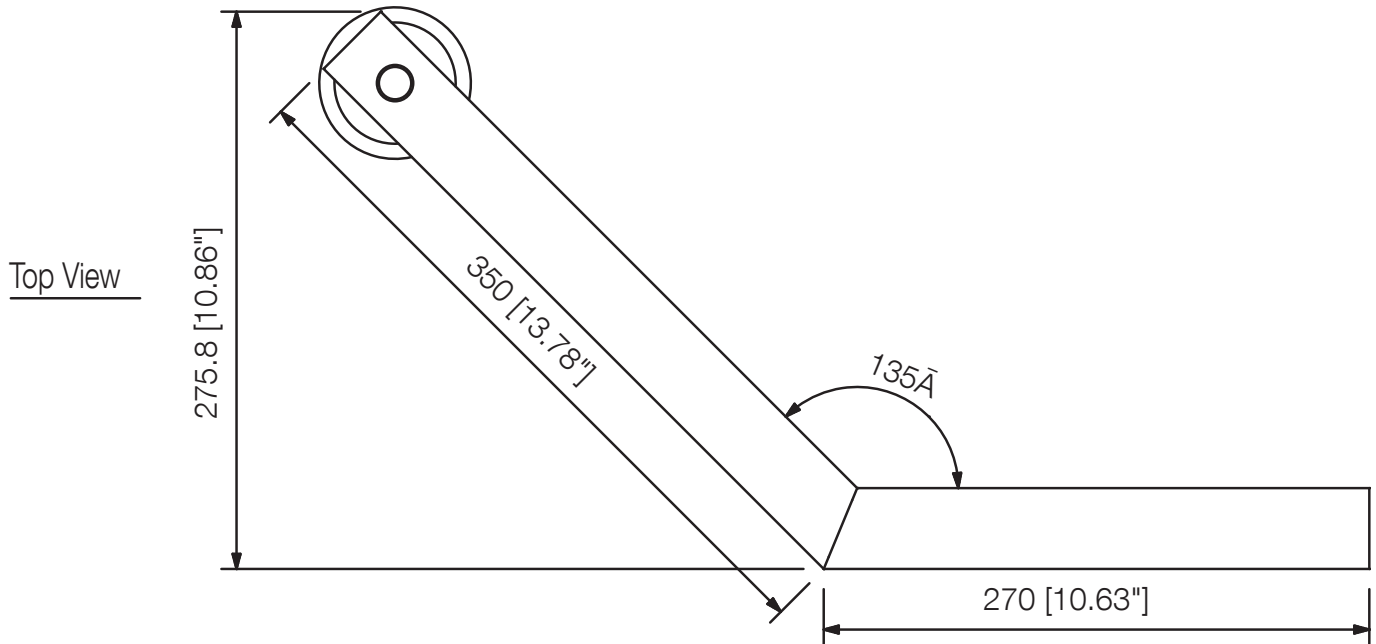
The SR-SB8 Rigging Support Bracket is used to prevent the stacked Line Array Speakers from tipping over. It must be used in conjunction with the optional SR-RF8 Rigging Frame. It comes in a set of 4 brackets.

Key features

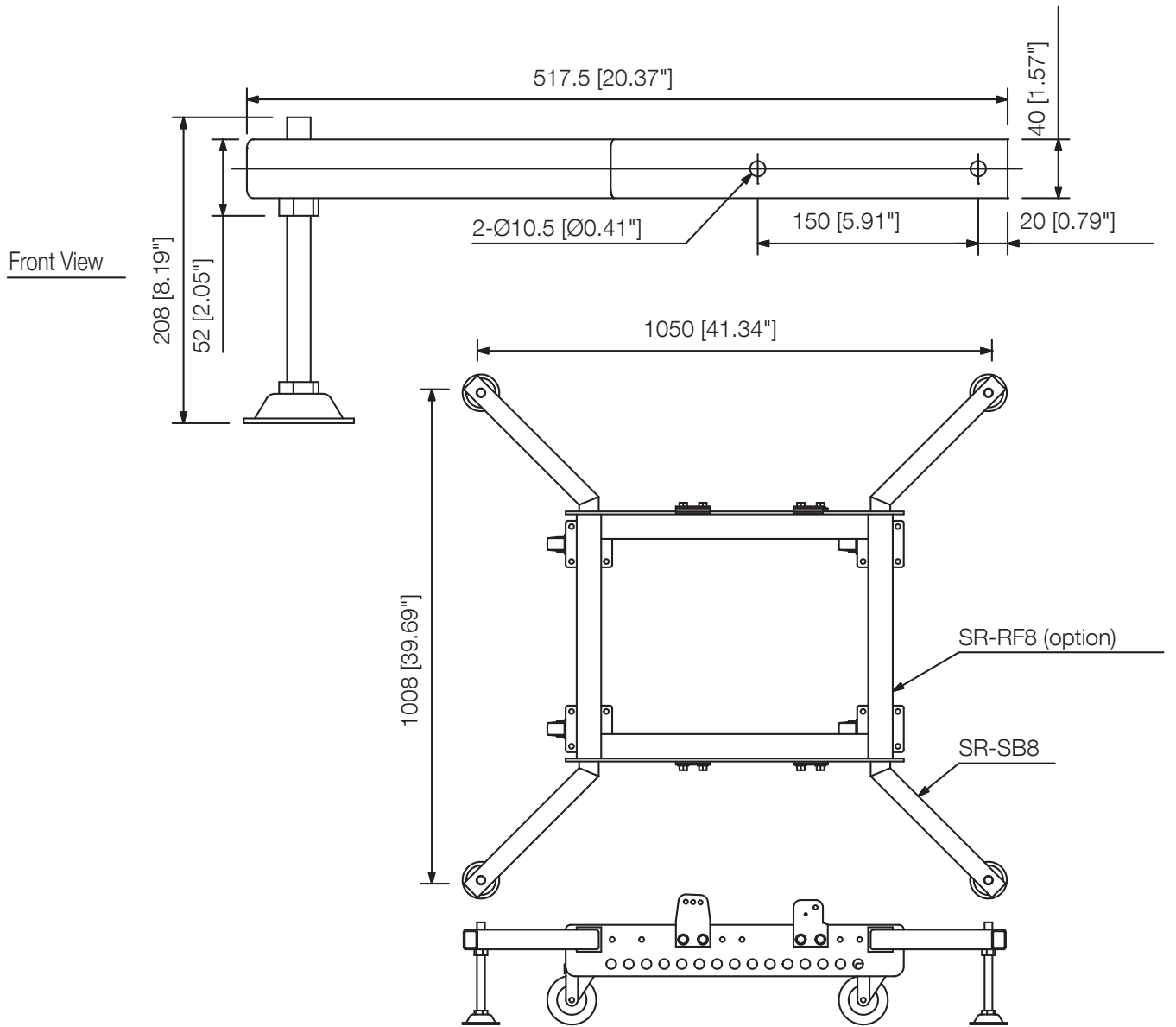
Specifications

Finish	Steel plate, black, paint
Dimensions	517.5 (W) x 208 (H) x 275.8 (D) mm (20.37 x 8.19" x 10.86")
Weight	10 kg (22.05 lb) (total weight of 4 pieces)

Dimensions



Dimensions



Note: Casters are required by use.

UNIT:mm

SCALE:1/5

Mounting example (scale:1/15)

A&E specifications

UNDEFINED TEXT