

## SR-SA4

### STAND ADAPTER



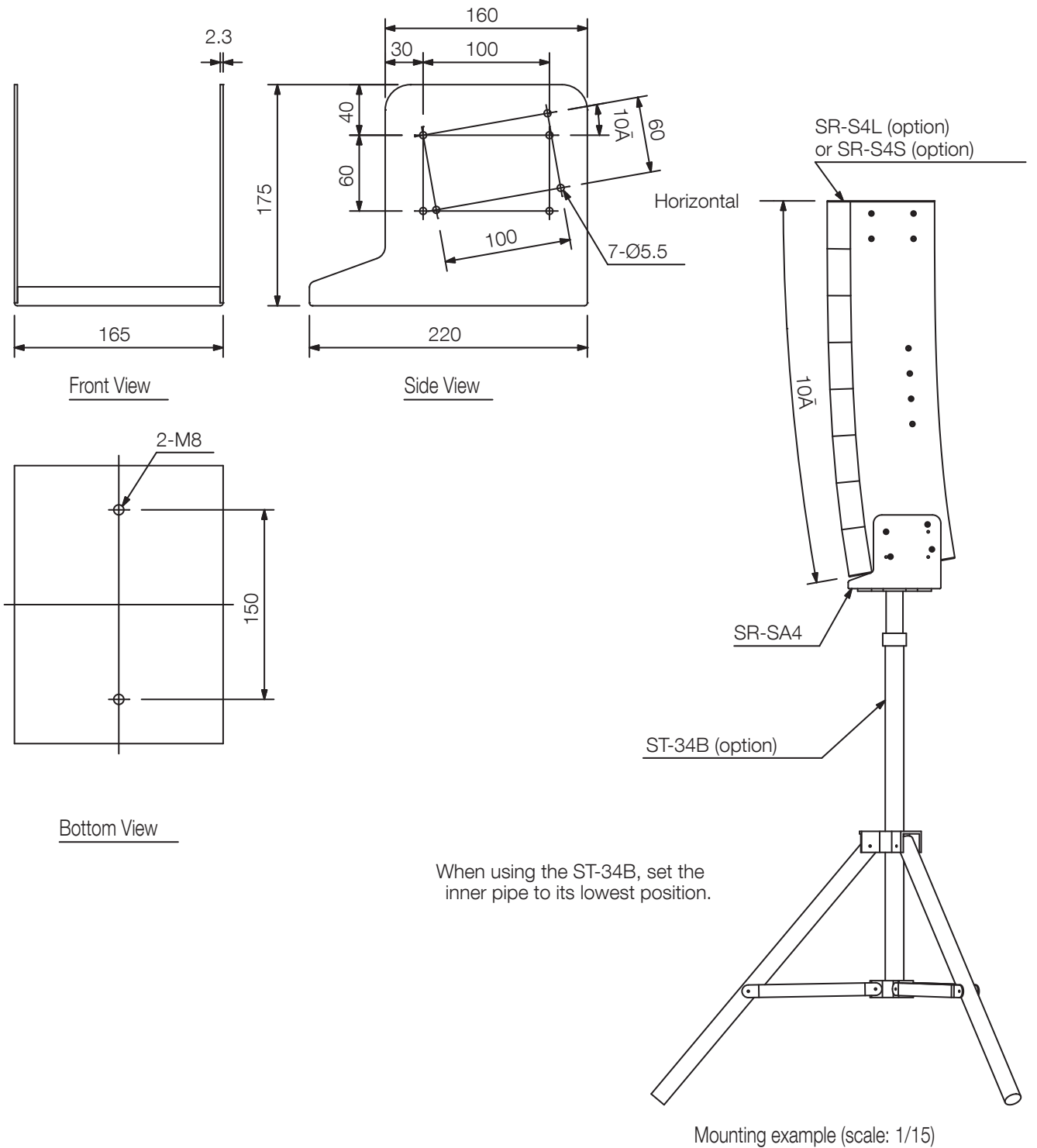
The SR-SA4 is designed to be used to mount the Line Array Speaker system SR-S4L or SR-S4S on a speaker stand.

### Key features

## Specifications

Number of Speakers to be Mounted	1
Compatible Stand	ST-32
Finish	Steel plate, white, paint
Dimensions	165 (W) x 175 (H) 220 (D) mm
Weight	1.7 kg (including accessories)
Included Accessories	Speaker mounting screw (M5 upset head) ...8

## Dimensions



UNIT:mm SCALE:1/5

## A&E specifications

\*UNDEFINED TEXT\*