

SP-201

SPEAKER MOUNT BRACKET



The SP-201 Speaker mounting bracket is used to mount a horn speaker to a wall. It can also mount the speaker on a $\varnothing 200 - \varnothing 340$ mm ($\varnothing 7.9" - \varnothing 13.4"$) pole in conjunction with the optional YS-60B.

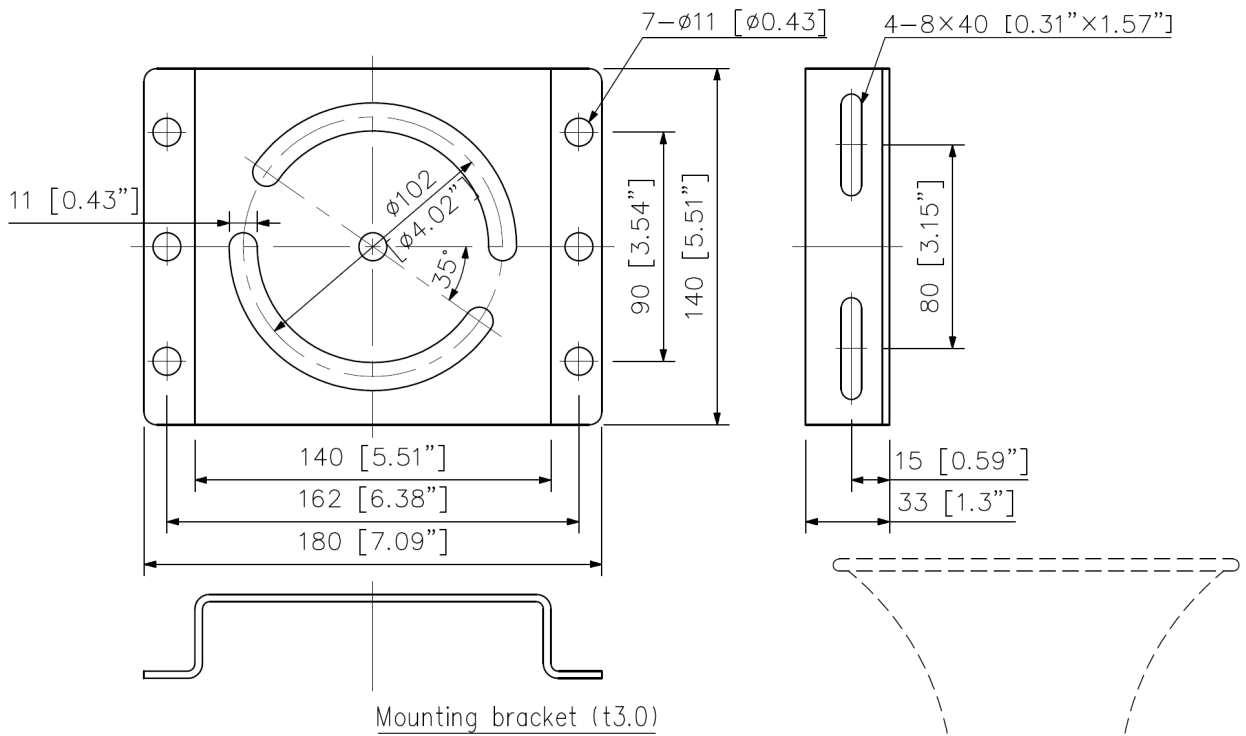
Key features

Specifications

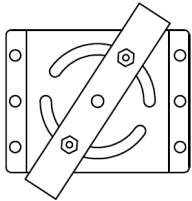
Maximum Load Capacity	10 kg (22 lb)
Finish	Bracket: Stainless Steel Screw: Stainless Steel
Weight	610 g (1.34 lb) (bracket only)
Product Composition	Mounting bracket ...1, Mounting screw (M10 x 25 bolt set, M8 x20 bolt set) ...each 1 set

Note: For added safety, reinforce mounting brackets and mounting bands when installing a speaker in a location that will be exposed to significant vibration and/or strong wind. It is also recommended that the installed speaker, mounting brackets, and mounting bands be checked periodically to assess potentially dangerous excessive wear and/or loose connections.

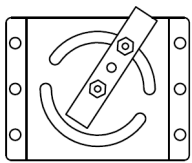
Dimensions



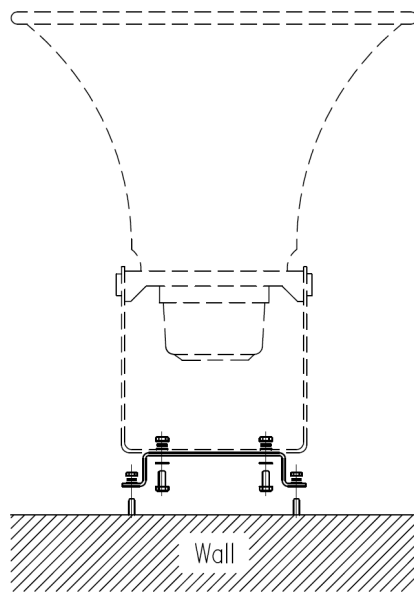
Angle installation



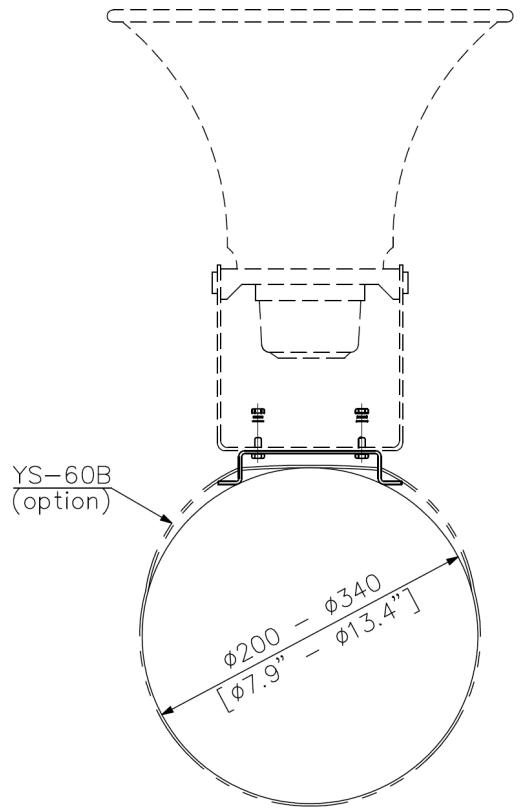
Angle installation for 51 mm (2.01") pitch



Angle installation for 25 mm (0.98") pitch



Speaker mounting example



Speaker mounting example

UNIT:mm