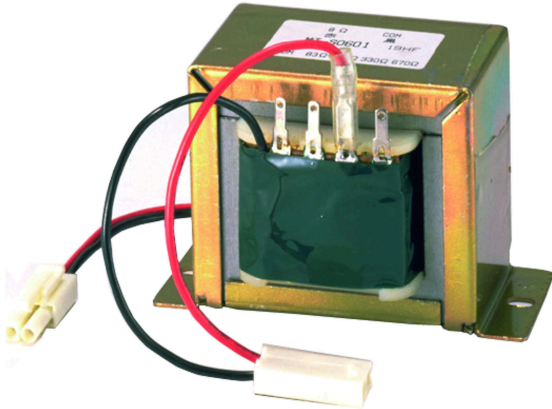


MT-S0601

MATCHING TRANSFORMER



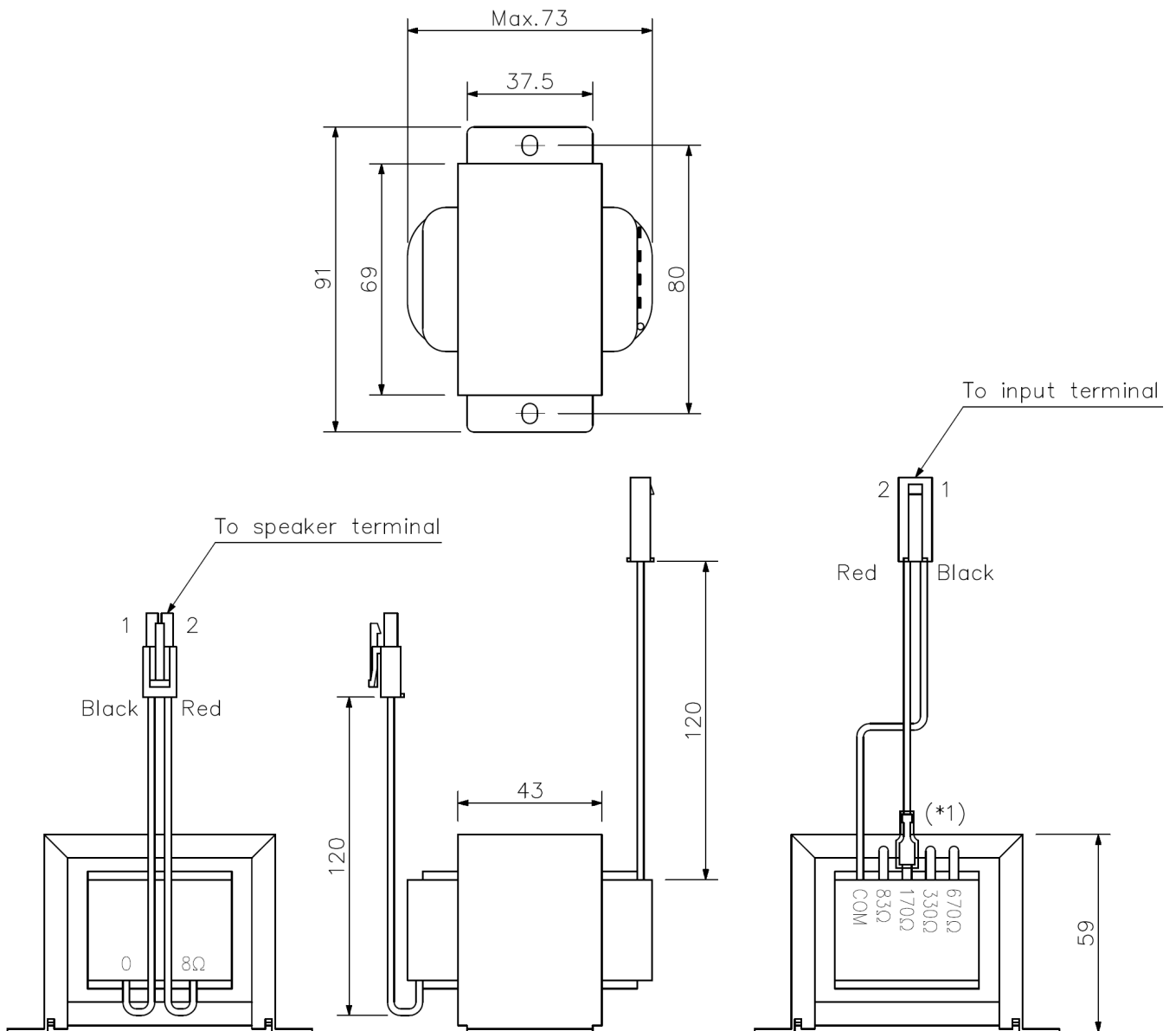
The MT-S0601 matching transformer is designed to be installed in the speaker and used to convert the low impedance speaker into the high-impedance version.

Key features

Specifications

Rated Input	60 W
Primary Impedance	100 V line: 170 Ω (60 W), 330 Ω (30 W), 670 Ω (15 W) 70 V line: 83 Ω (60 W), 170 Ω (30 W), 330 Ω (15 W), 670 Ω (7.5 W)
Secondary Impedance	8 Ω
Weight	1.2 kg
Included Accessories	Impedance indication label x 1

Dimensions



(*1)
This solderless terminal is not connected to any transformer tap when shipped from the factory.

UNIT: mm

A&E specifications

UNDEFINED TEXT