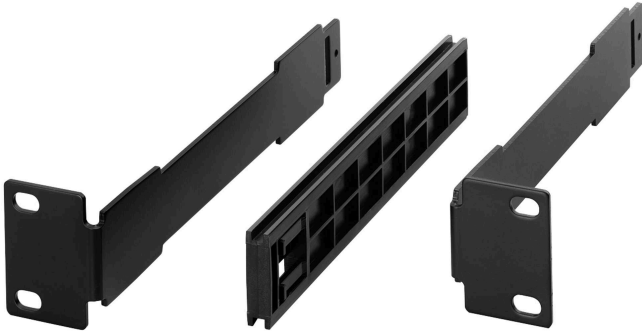


MB-WT4

MOUNT BRACKET



The MB-WT4 is used for side-by-side connection of two one-unit size components that are 210 mm in width in an EIA Standard equipment rack.

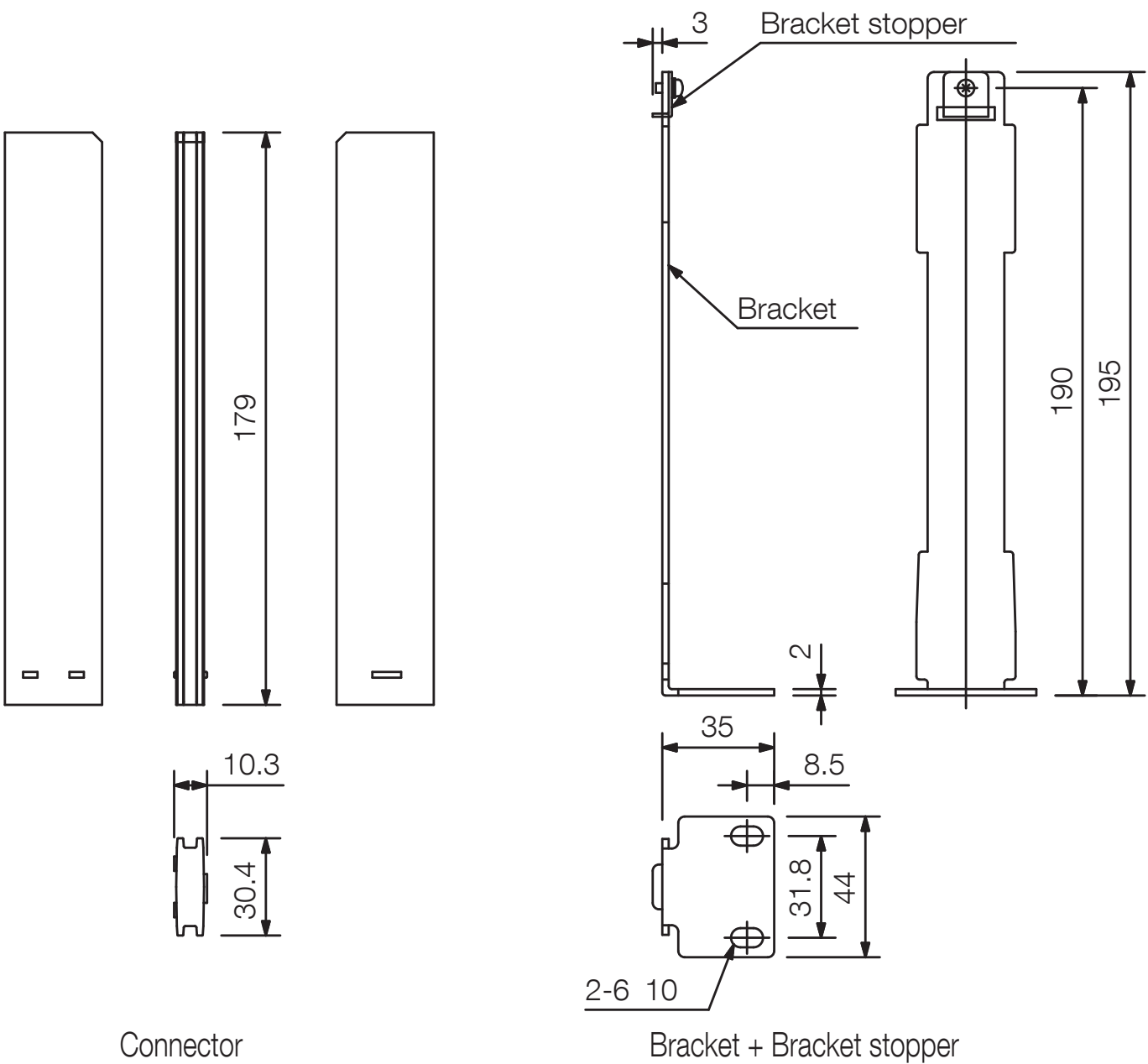
Key features

- For rack mounting of one wireless receiver unit to use with WT-5800/5805/4820 and/or IR-700D/702T

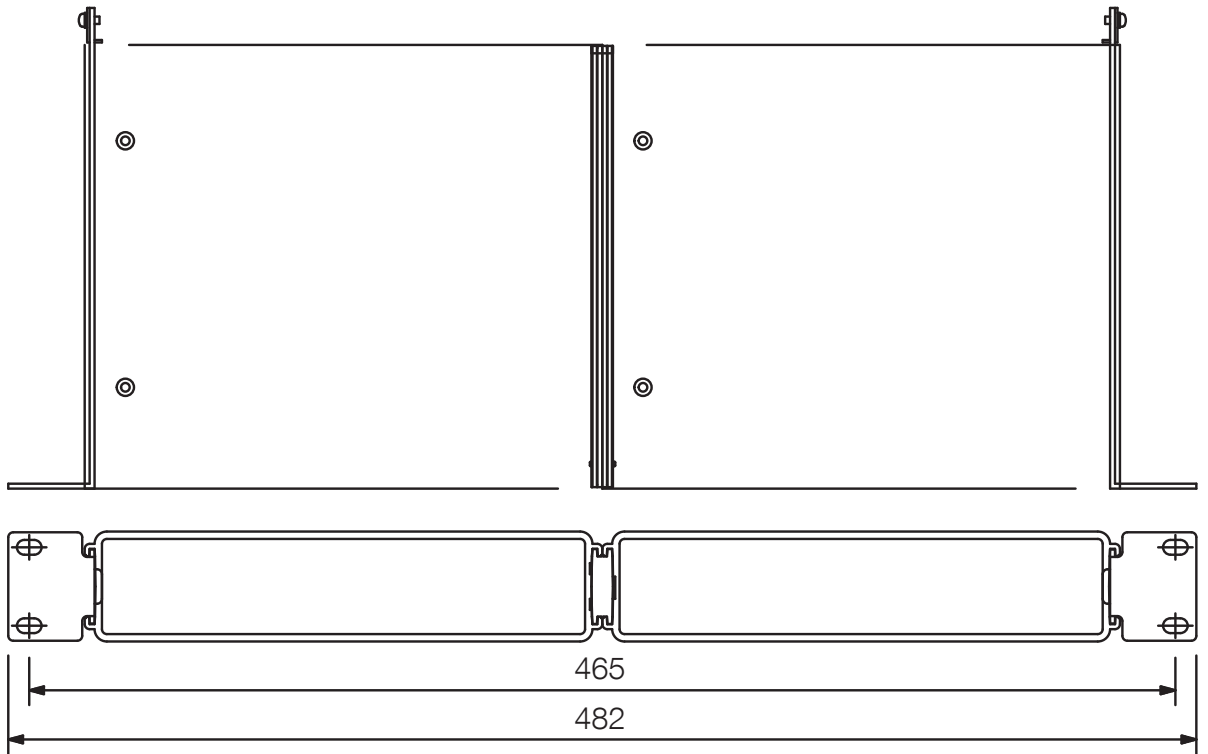
Specifications

Finish	Bracket : Surface-treated steel plate, black, paint Bracket stopper: Surface-treated steel plate, electrogalvanizing Connector: POM resin, black
Weight	240 g
Set Components	Bracket2, Bracket stopper2, Connector1
Included Accessories	Rack mounting screw ...4, Fiber washer ...4, Bracket stopper mounting screw ...2, Bracket stopper mounting washer ...1 set

Dimensions



Dimensions



UNIT:mm

SCALE:1/3

How to use joint brackets (scale: 1/4)

A&E specifications

19-Inch mounting kit for two half x 19-inch units with one height unit, color: black