

MB-25B

RACK MOUNTING BRACKET



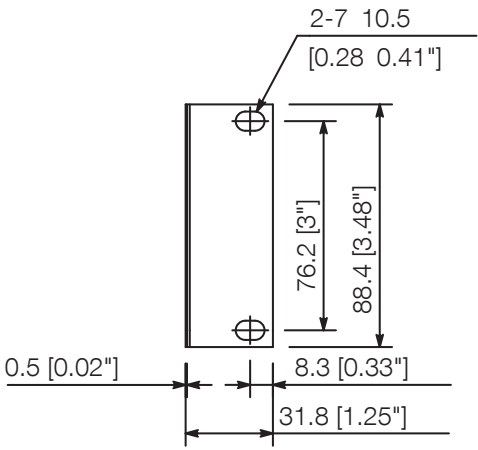
The MB-25B is a rack mounting bracket designed for 2-unit size.

Key features

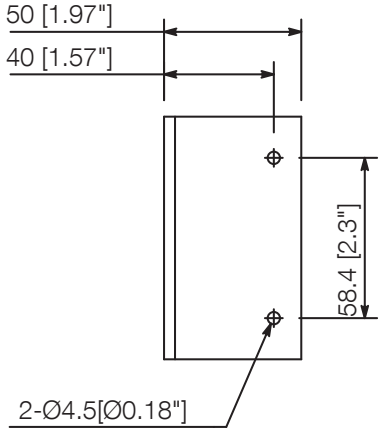
Specifications

Finish	Aluminum, almite process, black
Weight	0.075 kg (0.17 lb)
Included Accessories	Binding head screw M4.....4 Flat washer.....4

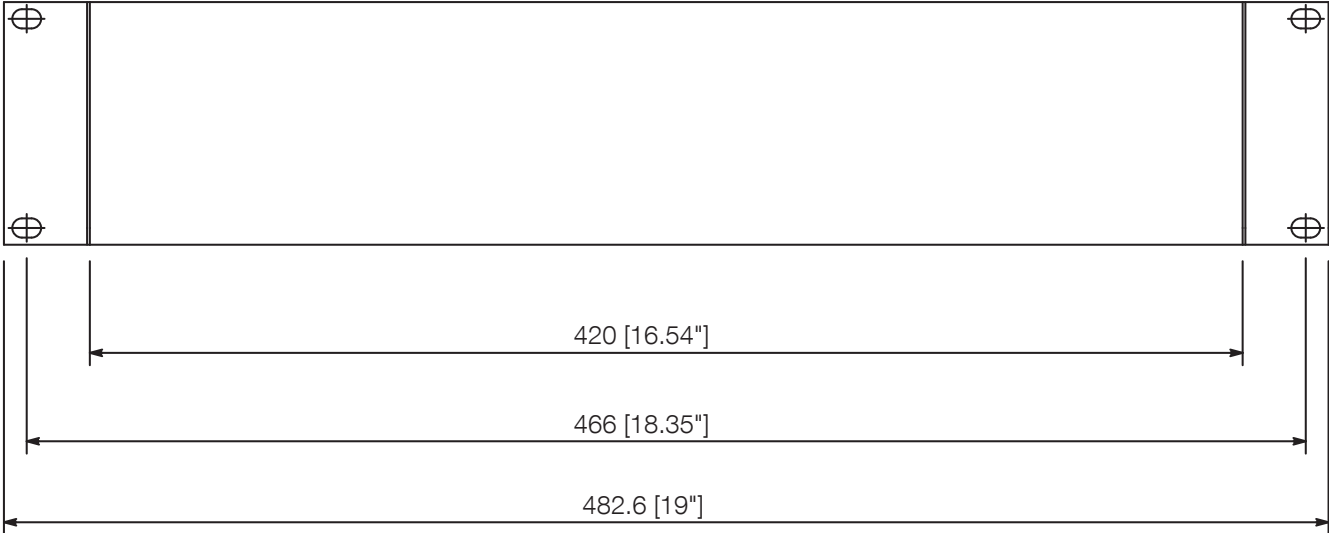
Dimensions



Front View



Side View



Installation

UNIT:mm SCALE:1/3

A&E specifications

19 "Mounting bracket, 2 Unit, color: black