

MB-25B-J

RACK MOUNTING BRACKET



The MB-25B-J is used for side-by-side connection of 2-unit size components that are 210 mm in width in an EIA component rack.

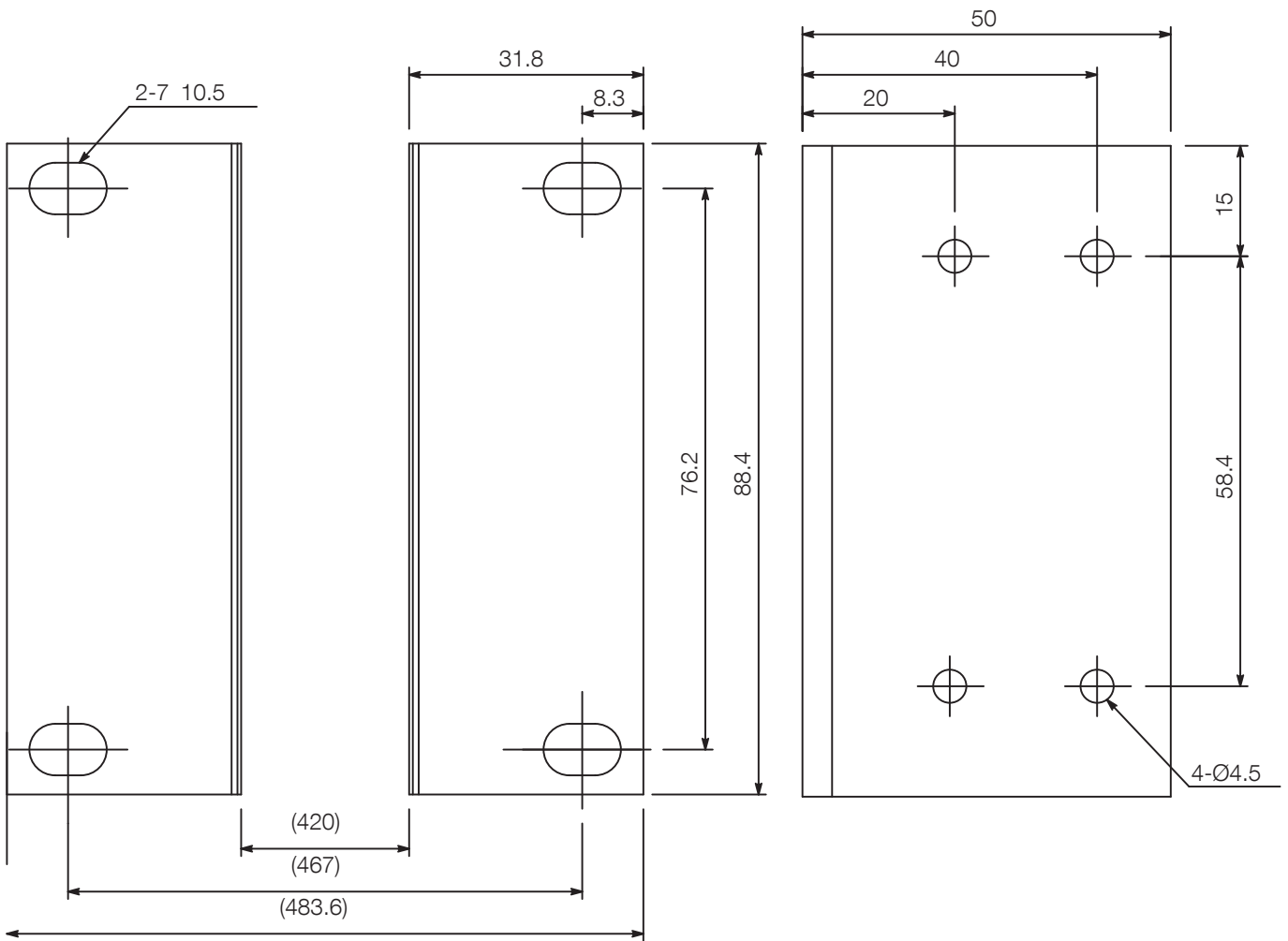
Key features

UNDEFINED TEXT

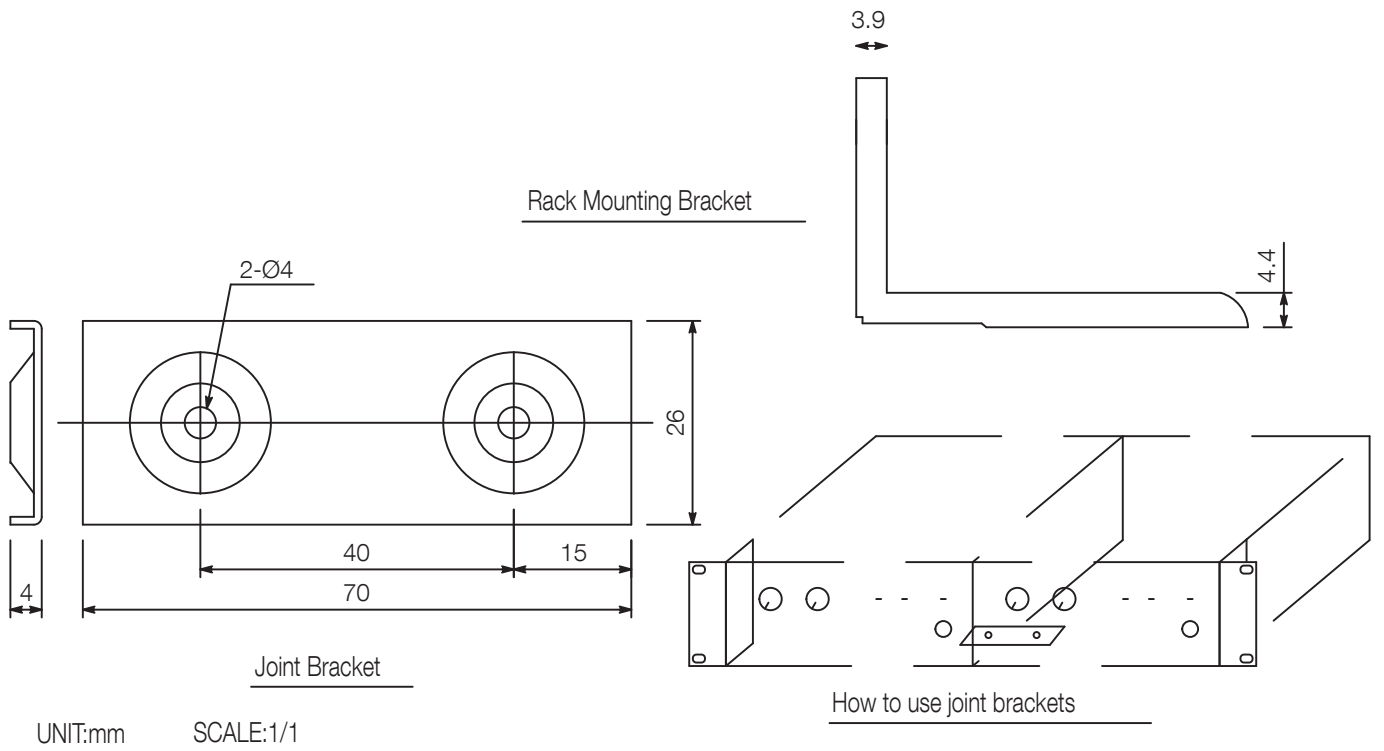
Specifications

Finish	Joint bracket: Steel plate, chromate, black
Weight	150 g
Set Components	Mount bracket2, Joint bracket1
Included Accessories	Unit mounting screw1 set

Dimensions



Dimensions



A&E specifications

UNDEFINED TEXT