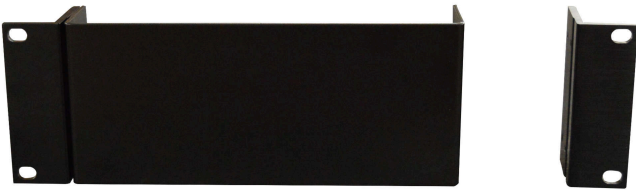


MB-25B-BK

RACK MOUNTING BRACKET



The MB-25B-BK panel is to mount a 2-unit size component that is 210 mm in width in an EIA component rack.

Key features

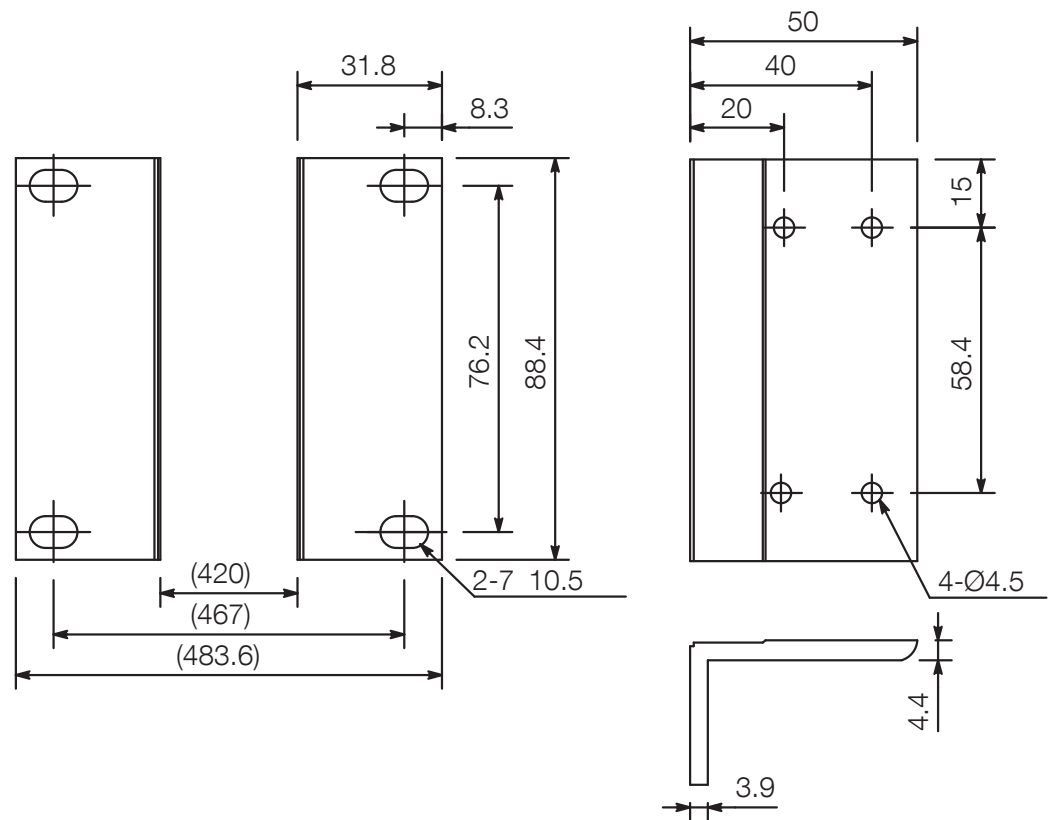
UNDEFINED TEXT

Specifications

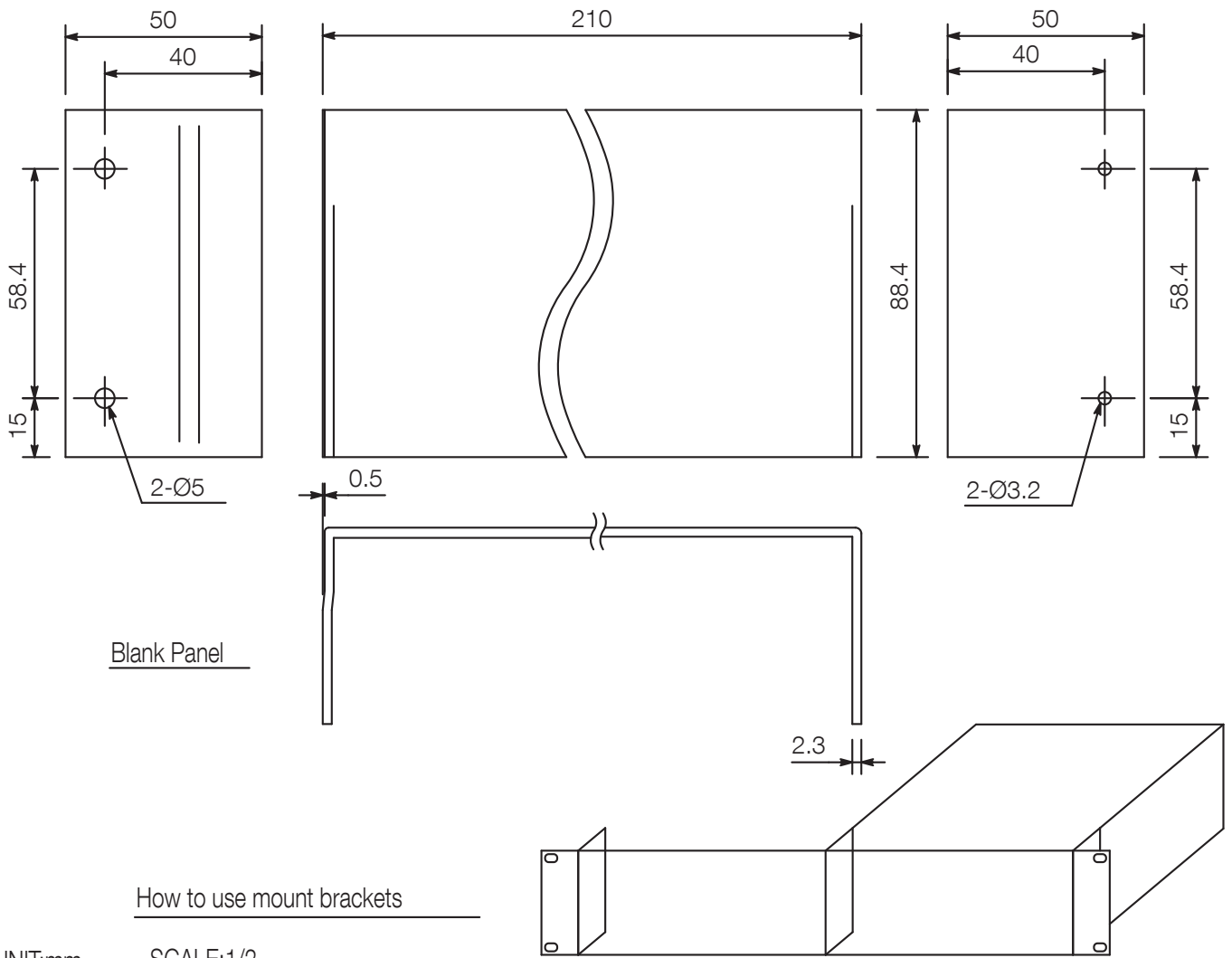
Finish	Surface treated steel plate, black, 30% glossy, paint
Weight	300 g
Set Components	Mount bracket 2, Blank panel 1
Included Accessories	Unit mounting screw ... 1 set

Dimensions

Rack Mounting
Bracket



Dimensions



A&E specifications

UNDEFINED TEXT