

MB-15B-J

JOINT METAL PLATE



The MB-15B-J is used for side-by-side connection of two one-unit size components that are 210 mm in width in a component rack.

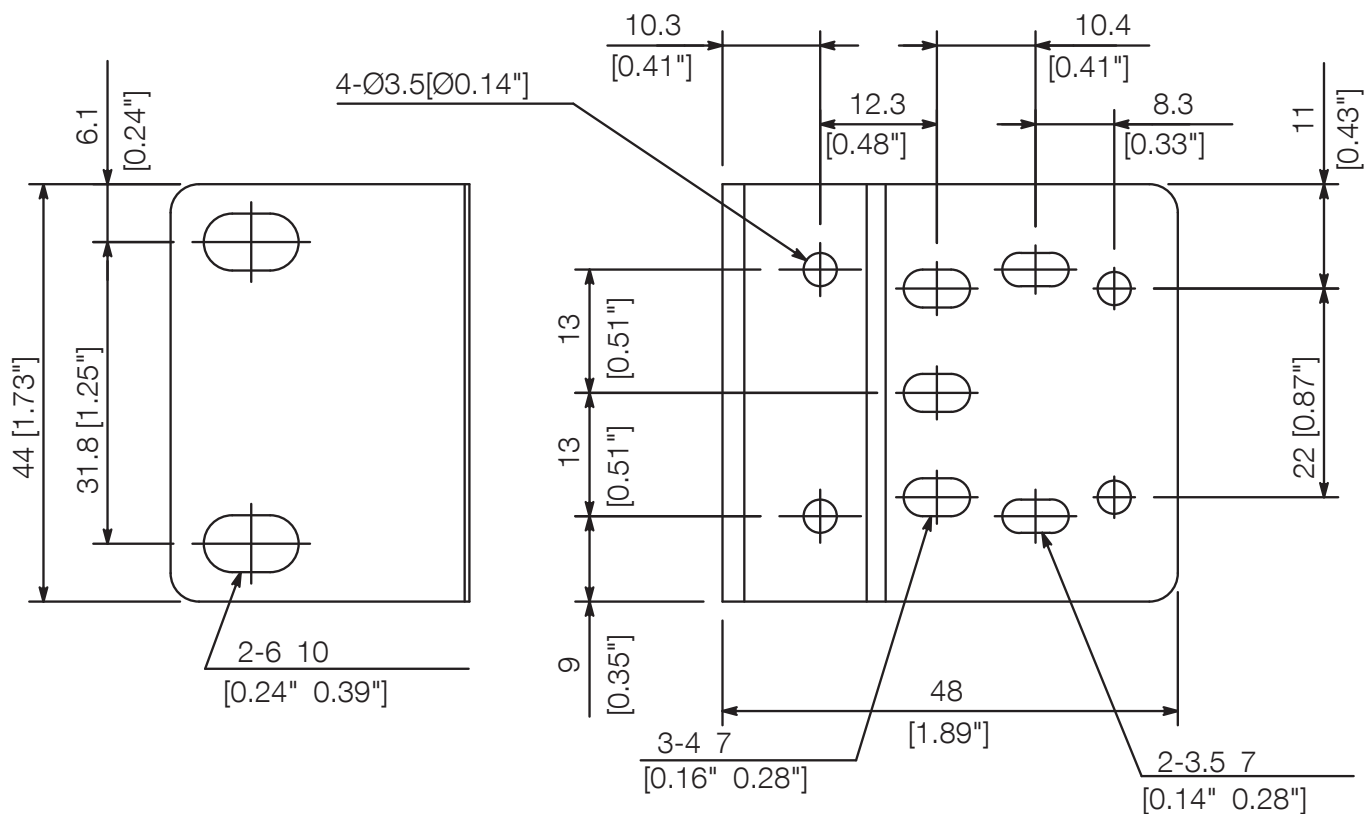
Key features

UNDEFINED TEXT

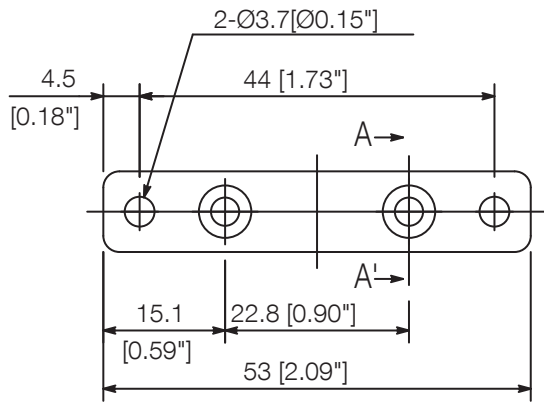
Specifications

Finish	Black
Weight	0.12 kg (0.26 lb)
Set Components	Mounting bracket.....2, Joint bracket.....2
Included Accessories	Binding head Taptite screw (B tight 3x14)8 Binding head Taptite screw (B tight 3x8)...6 Binding head screw (M3x12)6 Oval head screw (M3x6)4 Binding head Taptite screw (S tight 5x12)4 Fiber washer (5.2x10.5x1.0)4

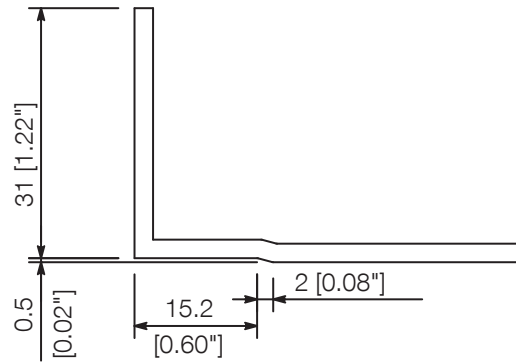
Dimensions



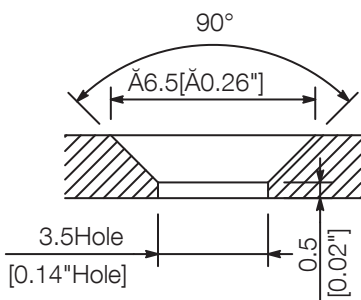
Dimensions



Joint Bracket



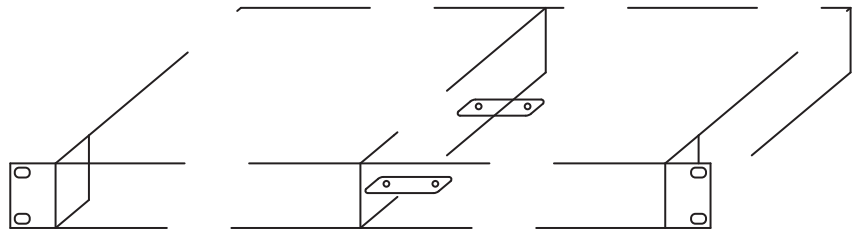
Rack Mounting Bracket



Cross-sectional area of section A-A'

UNIT:mm

SCALE:1/1



How to use joint brackets

A&E specifications

19-Inch mounting kit for two half x 19-inch units with one height unit, color: black