

MB-1000

RACK MOUNTING BRACKET



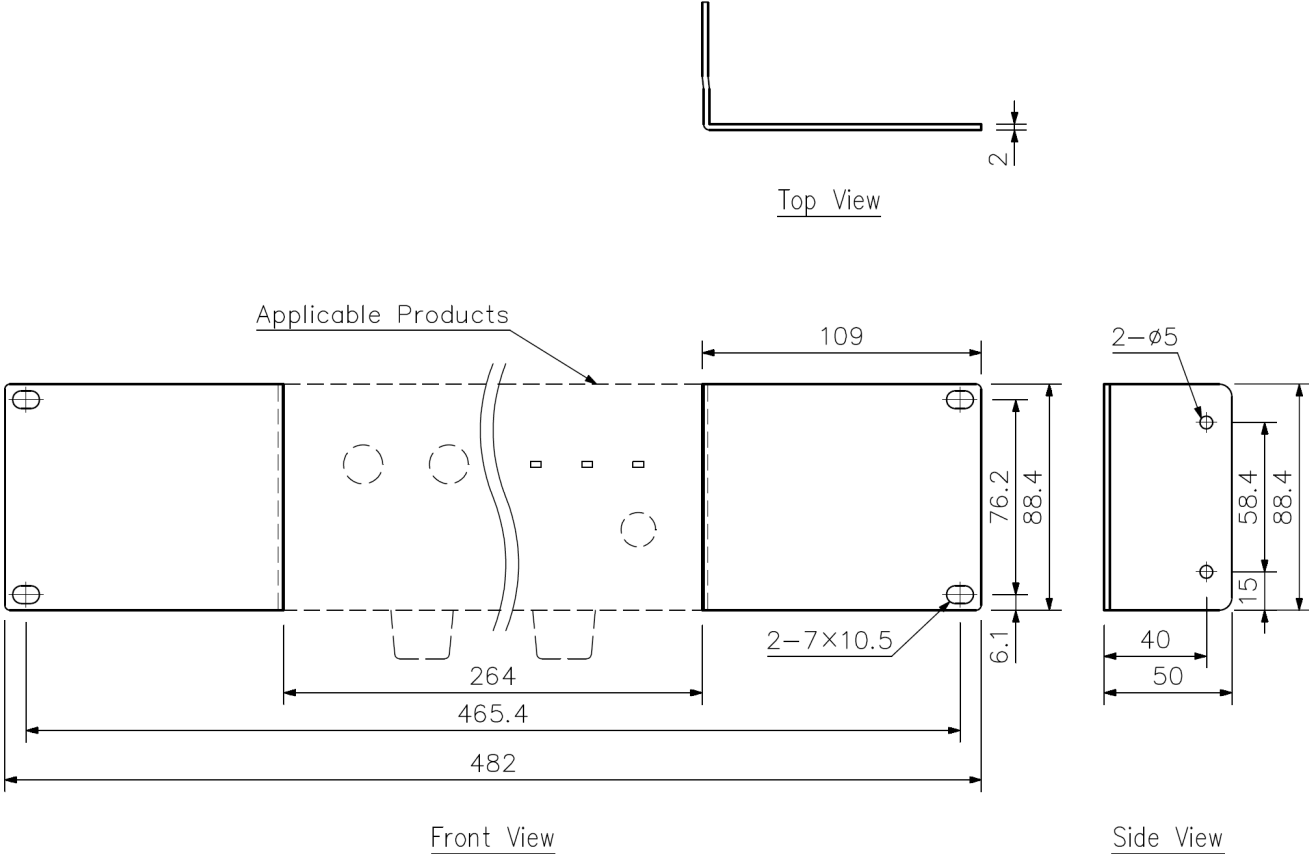
The MB-1000 is a rack mounting bracket specifically designed for BG-2000 Series Mixer Power Amplifiers.

Key features

Specifications

Finish	Steel plate, black, paint
Weight	240 g
Included Accessories	Rack mounting screw x 4

Dimensions



UNIT: mm