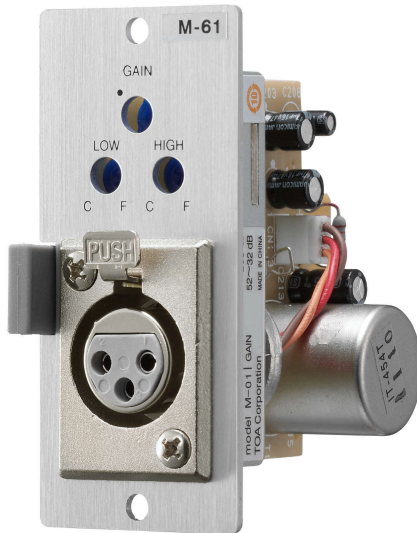


## M-61F

### MIC PREAMPLIFIER MODULE



The M-61F is a microphone input module to be used in conjunction with the 900 series components and other TOA's equipment. It has a transformer balanced microphone input with female XLR type connector, phantom power supply function, compressor function, and threshold and tone controls.

### Key features

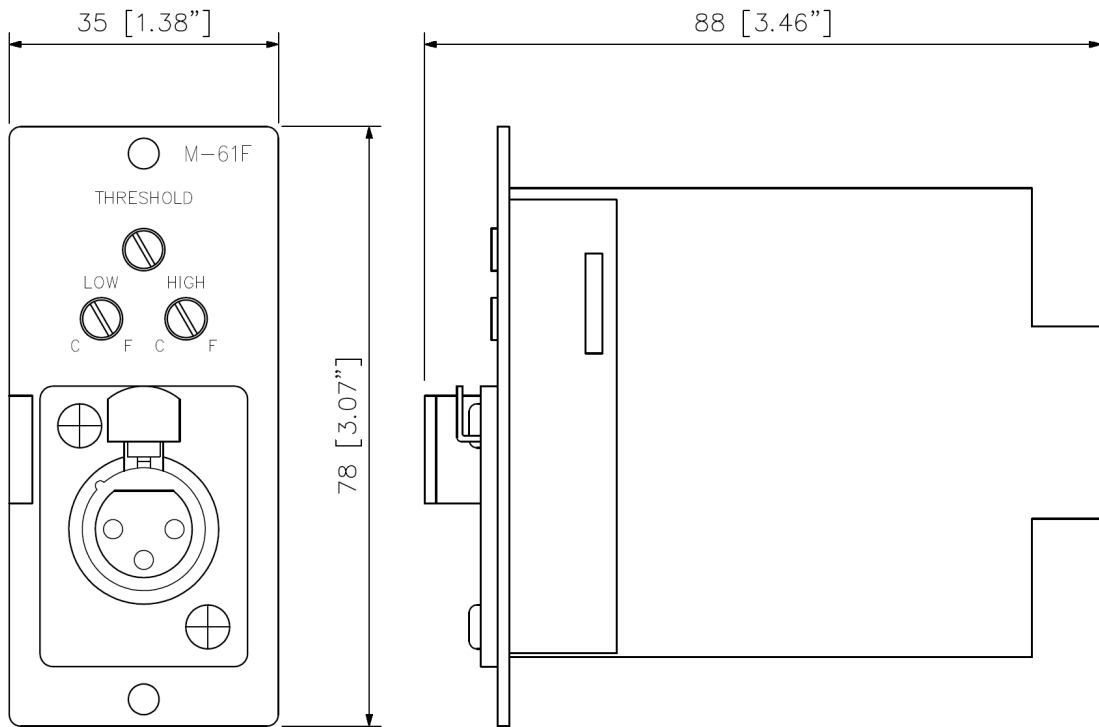
- For Balanced, Low Impedance Microphones.
- High and Low Cut Fileters for tone control, 4.2k Hz and 330 Hz, 6 dB/octave.
- Phantom Power, +22V DC for condenser-type microphones. Activate by default, cut Jumper J1 to disable.
- Compressor Function Helps Prevent Overload And Distortion, activates when the module's input signal exceeds a preset, adjustable threshold.
- Compression Ratio: 2:1 (fixed), reduces the module's output signal level to 1 dB for every 2 dB increase in input siganl level.
- Threshold Control - turn CW to lower threshold (to activate compressor function with lower input signal) and CCW to increase threshold (to activate compressor function with higher input signal).
- Connector: female XLR

## Specifications

\* 0 dB=1 V

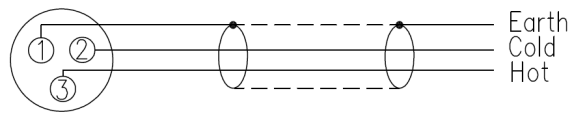
Power Supply	24 V DC (supplied from the main frame)
Current Consumption	33 mA
Input Sensitivity	-60 dB* (rated output: -20 dB*), adjustable: -72 to -52 dB*
Input Impedance	600 $\Omega$ , balanced transformer-isolated
Frequency Response	25 Hz - 20 kHz $\pm$ 1.5 dB
Distortion	0.1 % or less (1 kHz, output: -60 dB*)
Noise Level	-86 dB* (20 Hz - 20 kHz BPF), input equivalent noise: -126 dB*
Gain	32 - 52 dB
Tone Control	100 Hz: 0 to -10 dB, 10 kHz: 0 to -10 dB
Phantom Power	+22 V DC (for condenser-type)
Signal Muting Level	20 dB (Threshold adjustable input level: -66 to -46 dB*)
Connector	Female XLR connector (XLR-3-31 equivalent)
Dimensions	35 (W) x 78 (H) x 88 (D) mm (1.38" x 3.07" x 3.46")
Weight	Max. 110 g (0.24 lb)

## Dimensions



Front View

Side View



Connection Diagram

UNIT: mm