

IR-510R Y

INFRARED WIRELESS RECEIVER



The IR-510R infrared wireless receiver is designed for exclusive use with the IR-702T infrared wireless tuner. It can be mounted to a ceiling.

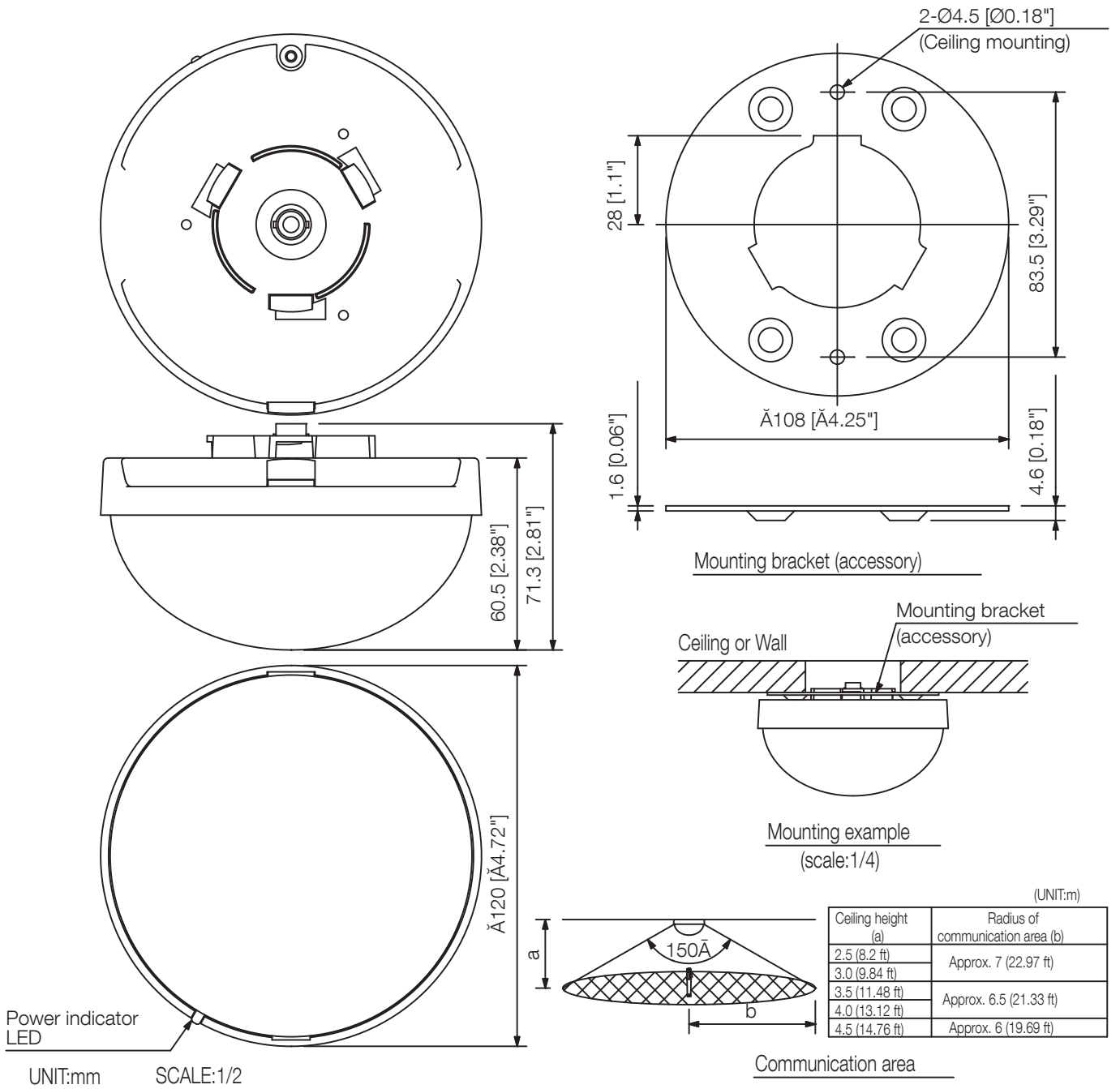
Key features

- Designed for exclusive use with IR-702T Infrared Wireless Tuner
- Power indicator LED
- Can be mounted to a ceiling

Specifications

Power Source	24 V DC (supplied from the IR-702T)
Current Consumption	Max. 60 mA
Infrared Detector	
Wavelength	870 nm
Carrier Frequency	Channel A: 3.100 MHz Channel B: 3.350 MHz
Communication Area	Approx. 7 m (22.97 ft) in radius from the point underneath the unit (Ceiling height: 2.5 - 3.0 m (8.2 - 9.84 ft), in a space without any obstacle)
Connection Terminal	75 Ω, BNC jack
Operating Temperature	0 °C to +40 °C (32 °F to 104 °F)
Operating Humidity	30 % to 85 %RH (no condensation)
Finish	Filter section: Polycarbonate, optical cut filter Base: ABS resin, black
Dimensions	Ø120 x 71.3 (H) mm (Ø4.72" x 2.81")
Weight	205 g (0.45 lb) (unit only)
Included Accessories	Mounting bracket ...1

Dimensions



A&E specifications

The ceiling-mount receiver shall be housed on a circular metal back plate and fitted with a dark tinted plexiglass dome cover with overall dimensions of 4.7" (W) x 2.8" (H) x 0.5" (D) and weighing .5 lbs. The unit shall have a BNC type jack for connection to the IR-702T tuner from which it will also receive 24VDC power and shall be equipped with power indicator LED. The receiver shall have a reception radius of up to approximately 26' line of sight and a coverage angle of 360°. The unit shall be called the TOA IR-510R.