

HY-WM2W

SPEAKER MOUNTING BRACKET



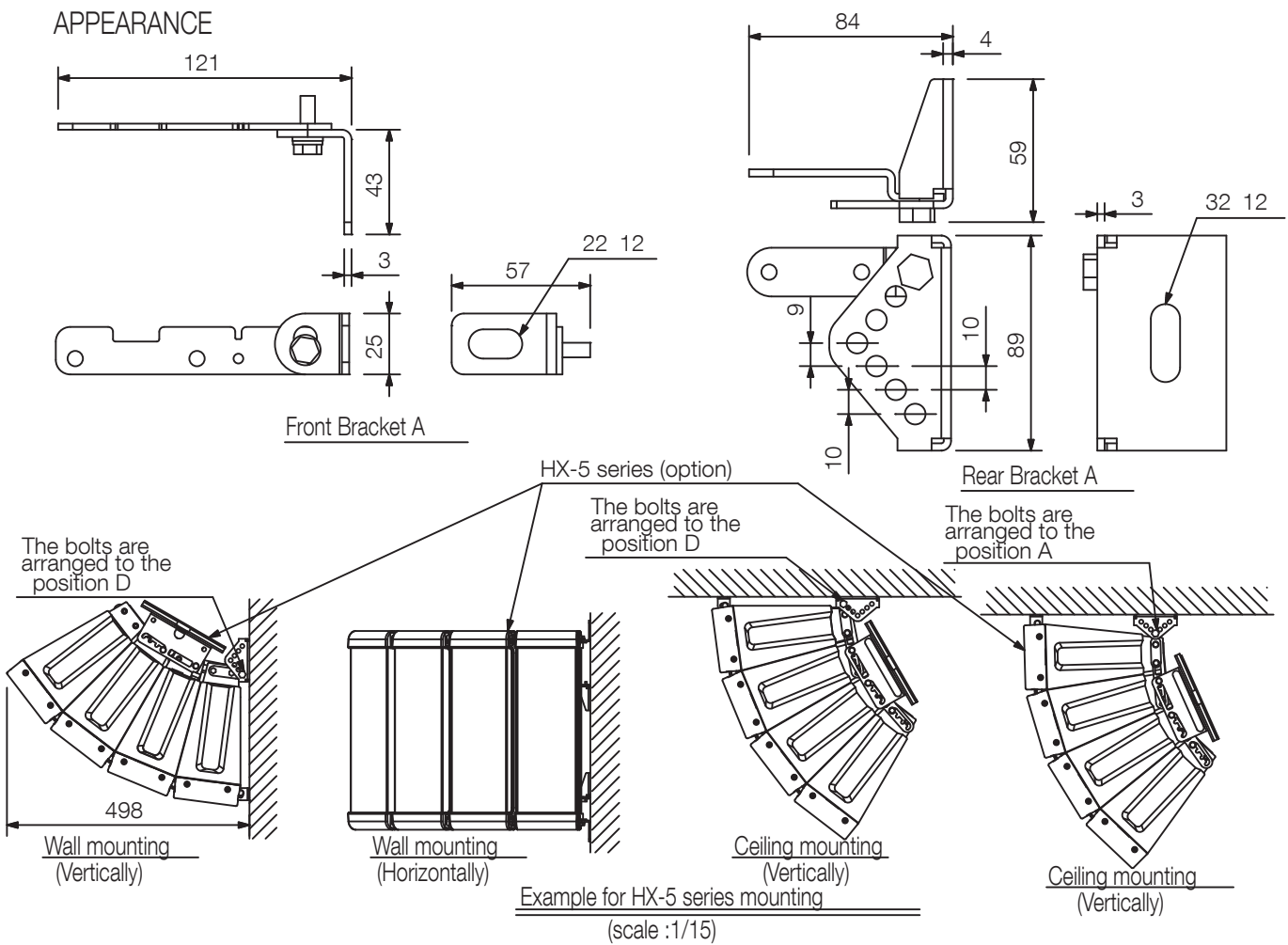
The HY-WM2W is used exclusively to mount the HX-5 series speaker system closely to a wall or ceiling. The bracket helps to achieve clearer sound reproduction by minimizing phase interference generated by sound waves reflecting from walls or ceilings. This bracket is designed for indoor use.

Key features

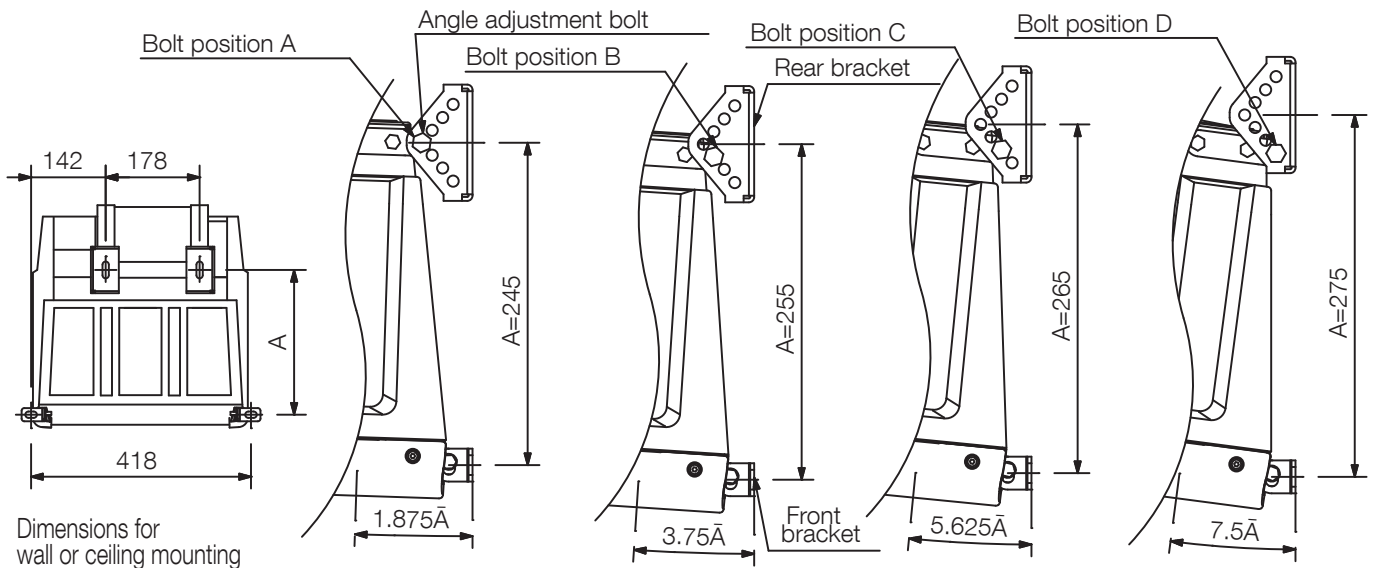
Specifications

Finish	Steel plate, white, semi-gloss paint
Weight	600 g
Included Accessories	Rear bracket mounting bolt (M8) with washer ...4
Product Composition	Front bracket A, B * ...1 each, Rear bracket A, B * ...1 each * Brackets A and B are symmetrical to each other.

Dimensions



Dimensions



Dimensions for wall or ceiling mounting

(scale :1/15)

Note: The mounting dimensions on the wall or ceiling is changed depending on the position A to D of the bolts on the rear brackets.

Dimensions for wall or ceiling mounting (scale :1/6)

UNIT:mm

SCALE:1/3