

## HY-WM2B

### SPEAKER MOUNTING BRACKET



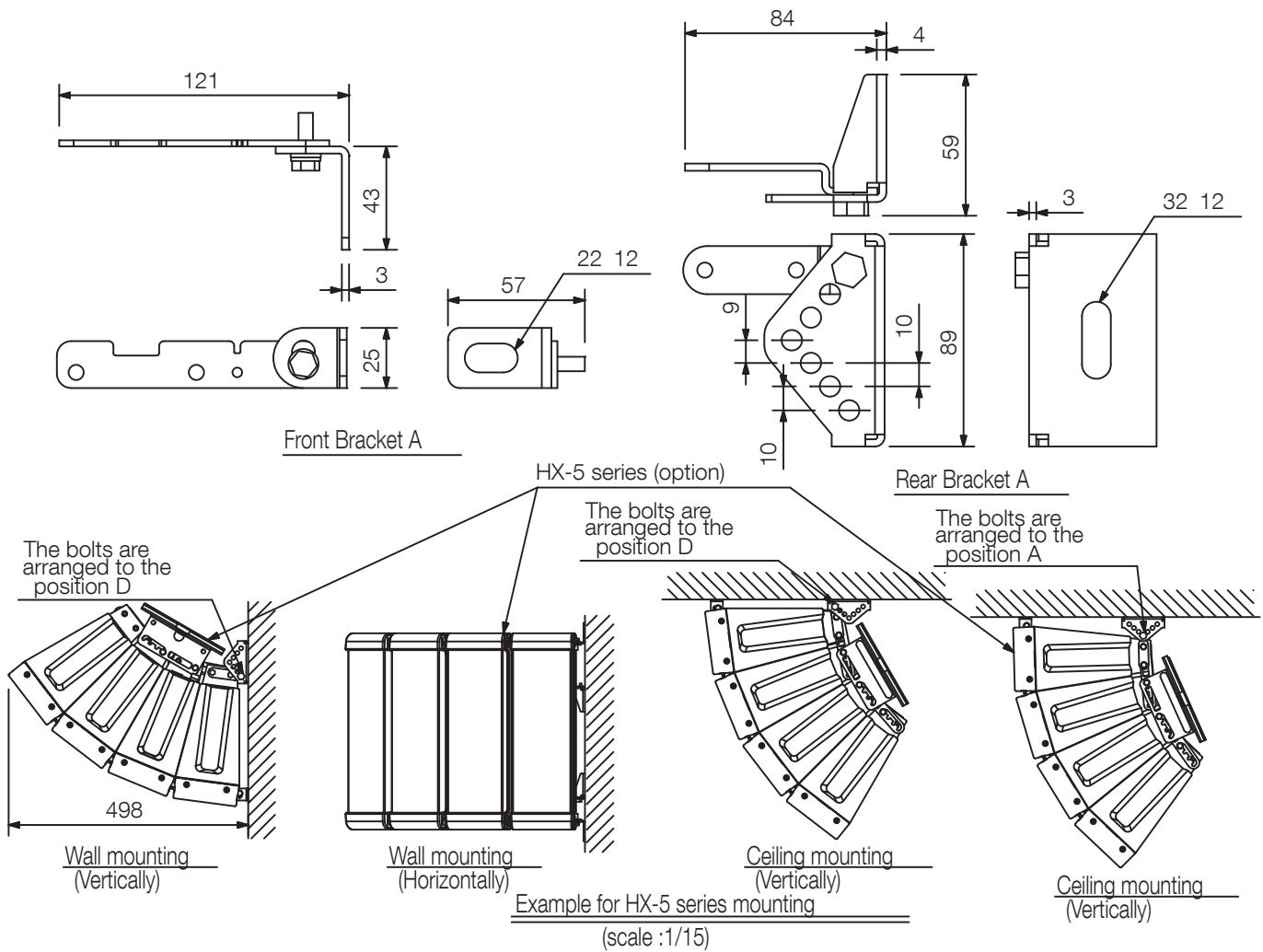
The HY-WM2B is used exclusively to mount the HX-5 series speaker system closely to a wall or ceiling. The bracket helps to achieve clearer sound reproduction by minimizing phase interference generated by sound waves reflecting from walls or ceilings. This bracket is designed for indoor use.

### Key features

## Specifications

Finish	Steel plate, black, semi-gloss paint
Weight	600 g
Included Accessories	Rear bracket mounting bolt (M8) with washer ...4
Product Composition	Front bracket A, B * ...1 each, Rear bracket A, B * ...1 each * Brackets A and B are symmetrical to each other.

## Dimensions



## Dimensions

