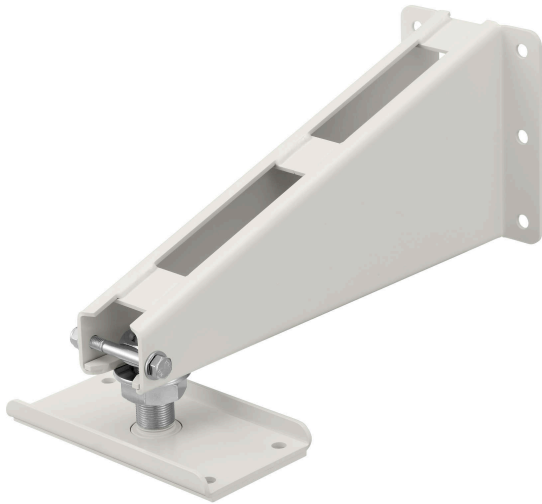


HY-W0801W

WALL MOUNT BRACKET



The HY-W0801W Wall Mount Bracket is designed to mount the speaker system on a wall in conjunction with the optional speaker mount bracket.

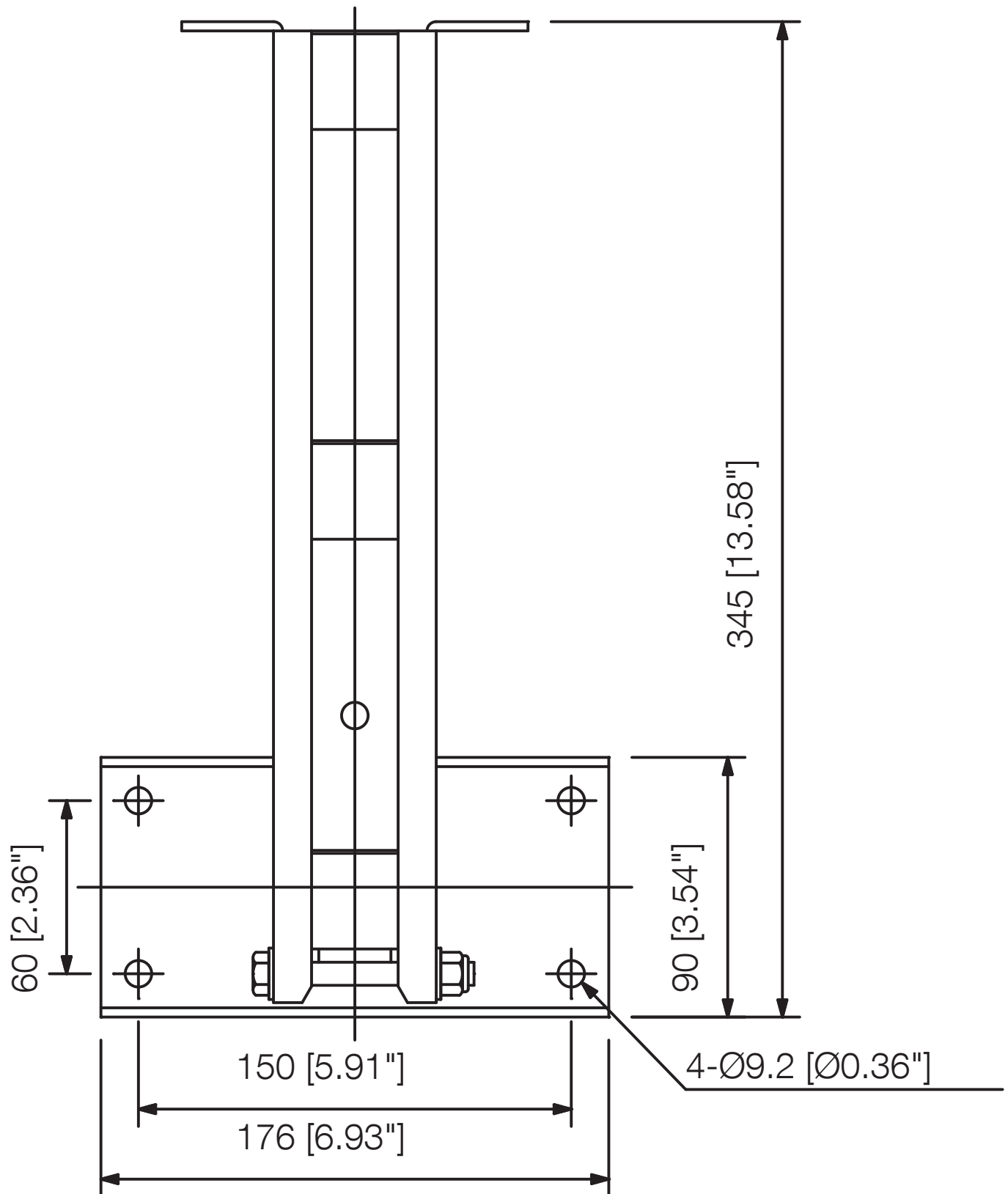
Key features

- in combination with HY-1200 / HY-1500 series brackets

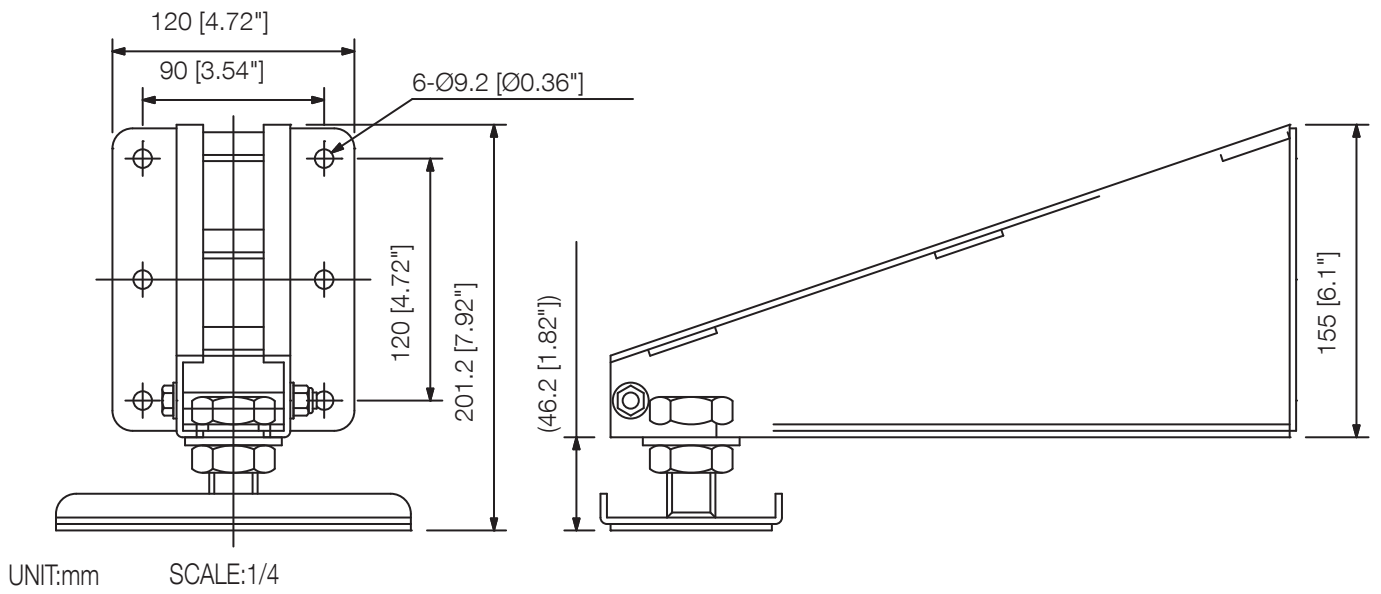
Specifications

Maximum Load Capacity	32 kg (70.55 lb)
Compatible Speaker	HS-120W, HS-150W, HS-1200WT, HS-1500WT
Finish	Rolled steel plate, white, semi-gloss, paint
Weight	4 kg (8.82 lb)
Included Accessories	Speaker mounting bolt (with washer) 4
Optional Accessories	Mounting bracket: HY-1200HW, HY-1200VW, HY-1500HW, HY-1500VW

Dimensions



Dimensions



A&E specifications

UNDEFINED TEXT