

## HY-W0801

### WALL MOUNT BRACKET



The HY-W0801 Wall Mount Bracket is designed to mount the speaker system on a wall in conjunction with the optional speaker mount bracket.

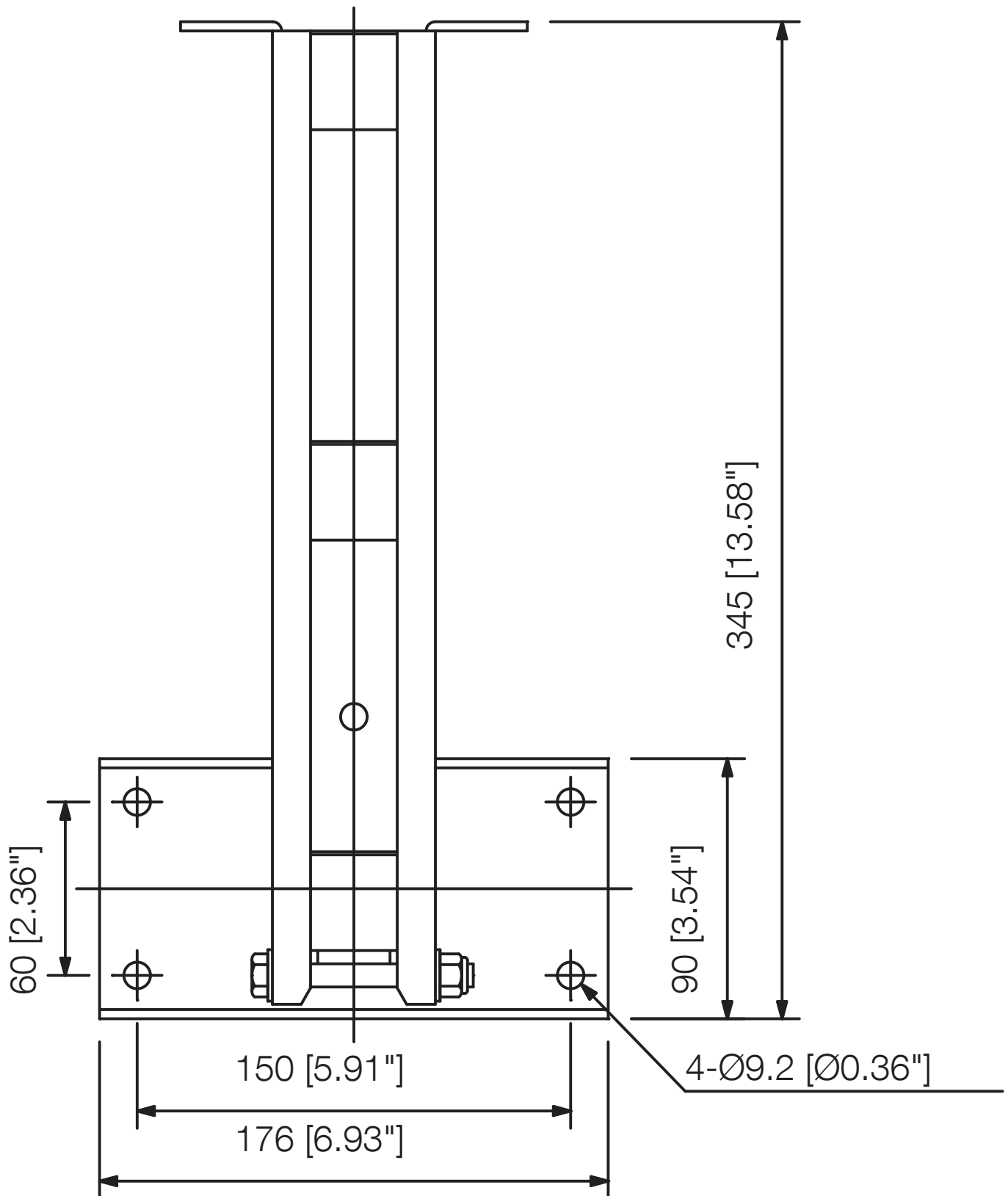
### Key features

- in combination with HY-1200 / HY-1500 series brackets

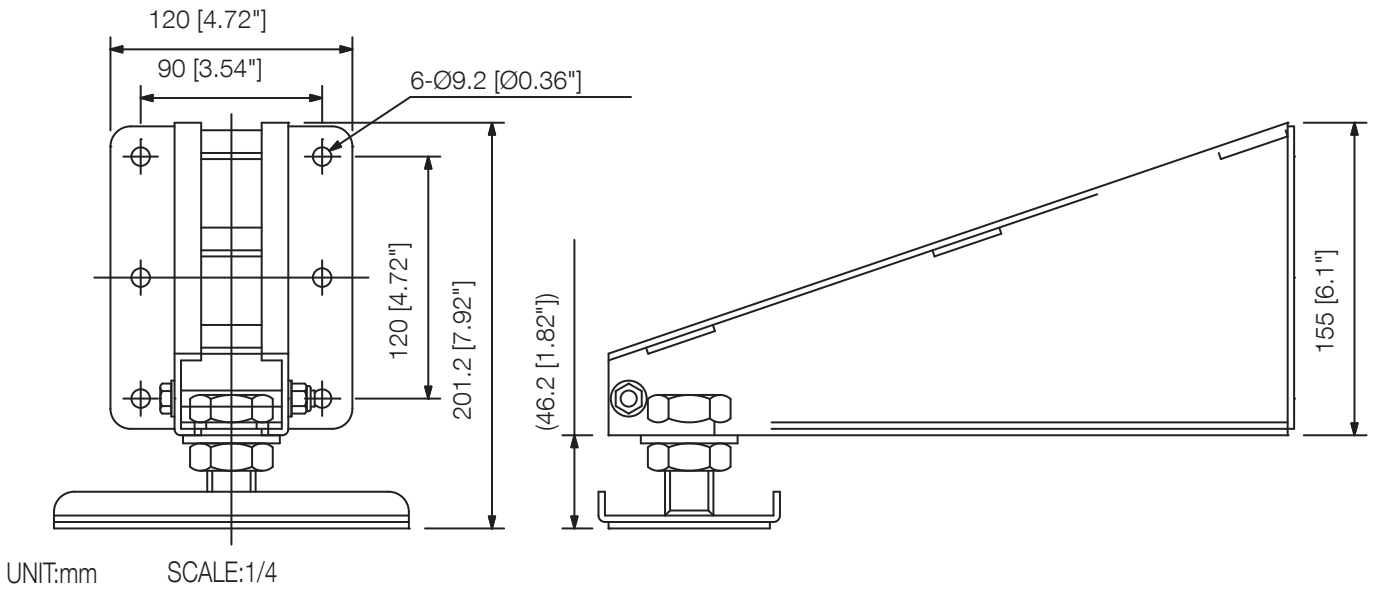
## Specifications

Maximum Load Capacity	32 kg (70.55 lb)
Compatible Speaker	ES-0851, HS-120B, HS-150B, HS-1200BT, HS-1500BT
Finish	Rolled steel plate, black, semi-gloss, paint
Weight	4 kg (8.82 lb)
Included Accessories	Speaker mounting bolt (with washer) ..... 4
Optional Accessories	Mounting bracket: HY-0851ST, HY-0852ST, HY-1200HB, HY-1200VB, HY-1500HB, HY-1500VB

## Dimensions



## Dimensions



## A&E specifications

\*UNDEFINED TEXT\*