

## HY-VM7W

### SPEAKER RIGGING BRACKET



The HY-VM7W Speaker Rigging Bracket is designed to mount the HX-7W Speaker System to the wall or ceiling by using in combination with the optional mounting bracket. With the use of the HY-VM7W only, the speaker system can be mounted to the ceiling or beams, or suspended from the ceiling by using eyebolts.

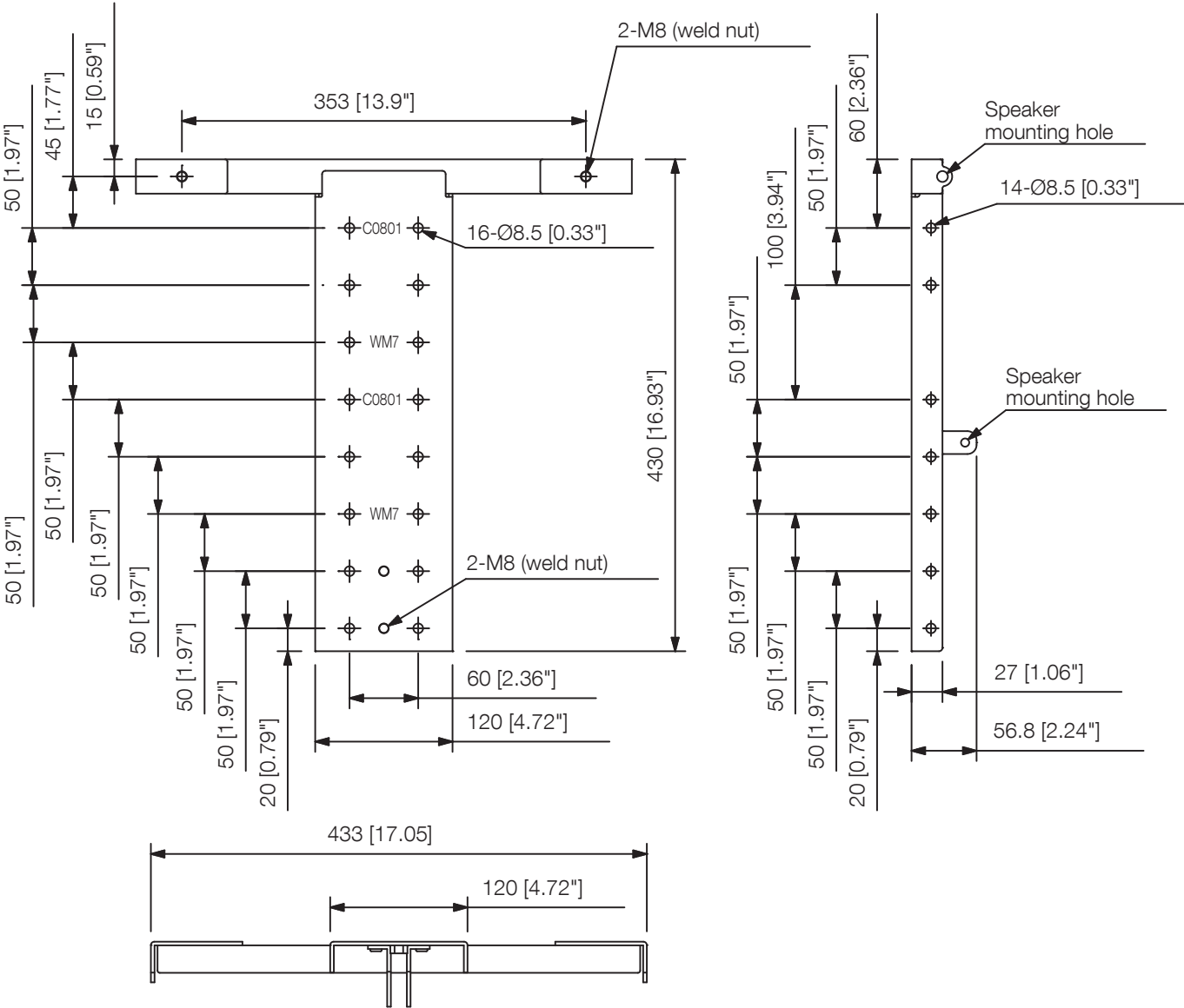
### Key features

# Specifications

Finish	Steel plate, white, semi-gloss, paint
Weight	4.8 kg (10.58 lb)
Included Accessories	Speaker mounting bolt ...1 set, Bracket mounting bolt ...1 set
Optional Accessories	Speaker wall mounting bracket: HY-WM7W Ceiling mount bracket: HY-C0801W
Product Composition	T-bracket ...1, Angle bracket ...1, Mounting base ...1

# Dimensions

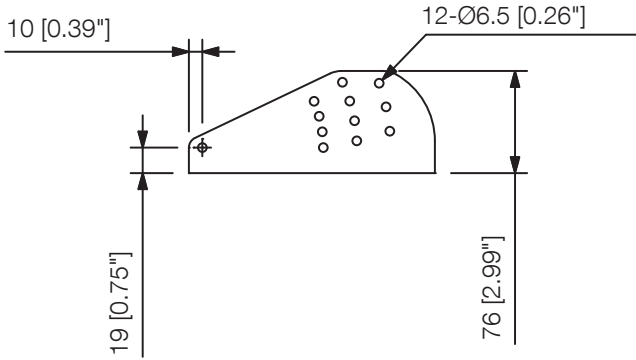
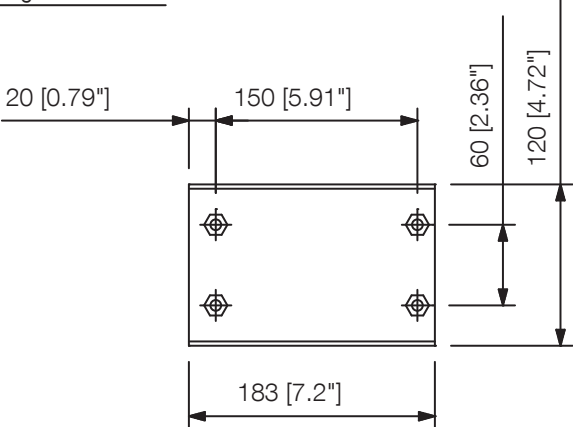
T-bracket



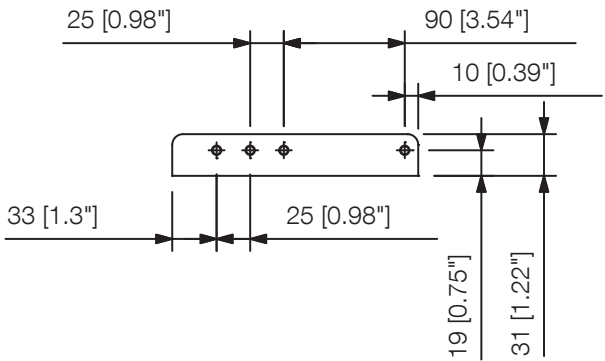
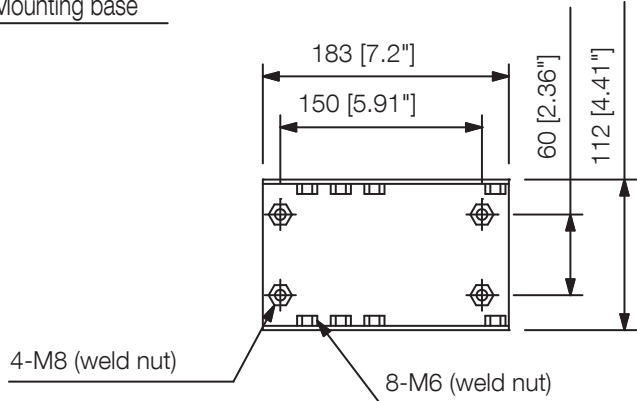
UNIT:mm SCALE:1/6

# Dimensions

Angle bracket

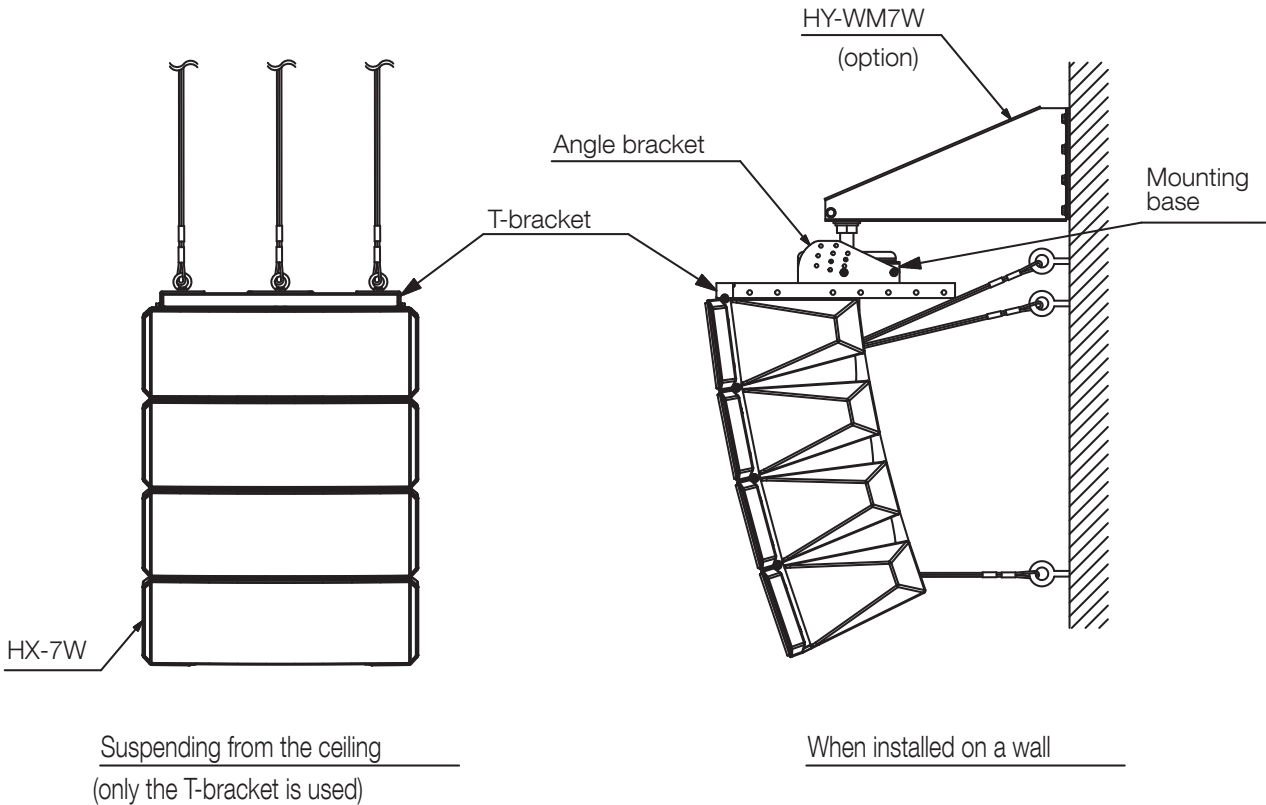


Mounting base



Speaker mounting example (scale: 1/15)

# Dimensions



Note: Wires, anchor shackles, and carabiners necessary for hanging are not supplied with the product.

UNIT:mm      SCALE:1/6

## A&E specifications

\*UNDEFINED TEXT\*