

HY-VM7B

SPEAKER RIGGING BRACKET



The HY-VM7B Speaker Rigging Bracket is designed to mount the HX-7B Speaker System to the wall or ceiling by using in combination with the optional mounting bracket. With the use of the HY-VM7B only, the speaker system can be mounted to the ceiling or beams, or suspended from the ceiling by using eyebolts.

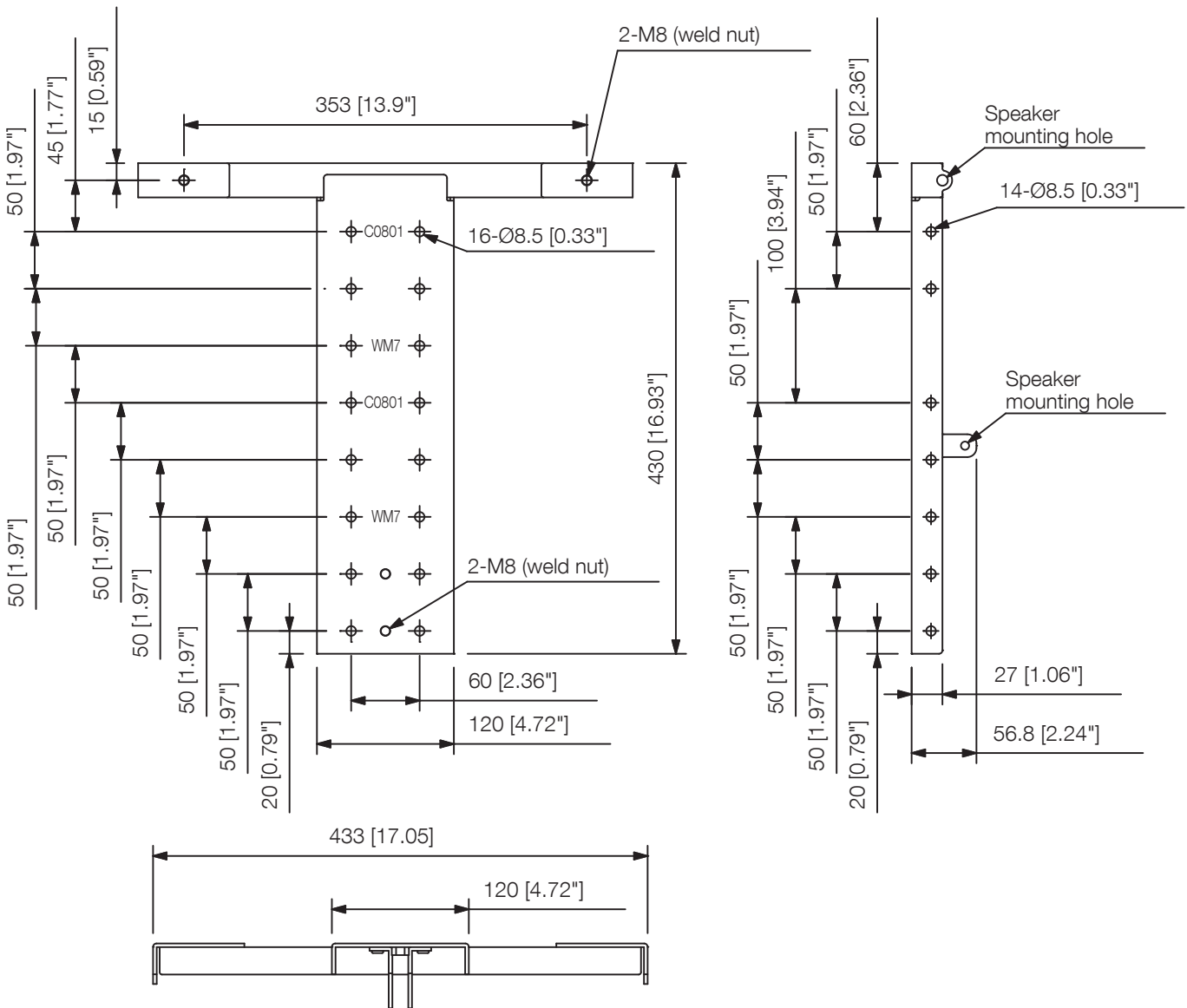
Key features

Specifications

Finish	Steel plate, black, semi-gloss, paint
Weight	4.8 kg (10.58 lb)
Included Accessories	Speaker mounting bolt ...1 set, Bracket mounting bolt ...1 set
Optional Accessories	Speaker wall mounting bracket: HY-WM7B Ceiling mount bracket: HY-C0801
Product Composition	T-bracket ...1, Angle bracket ...1, Mounting base ...1

Dimensions

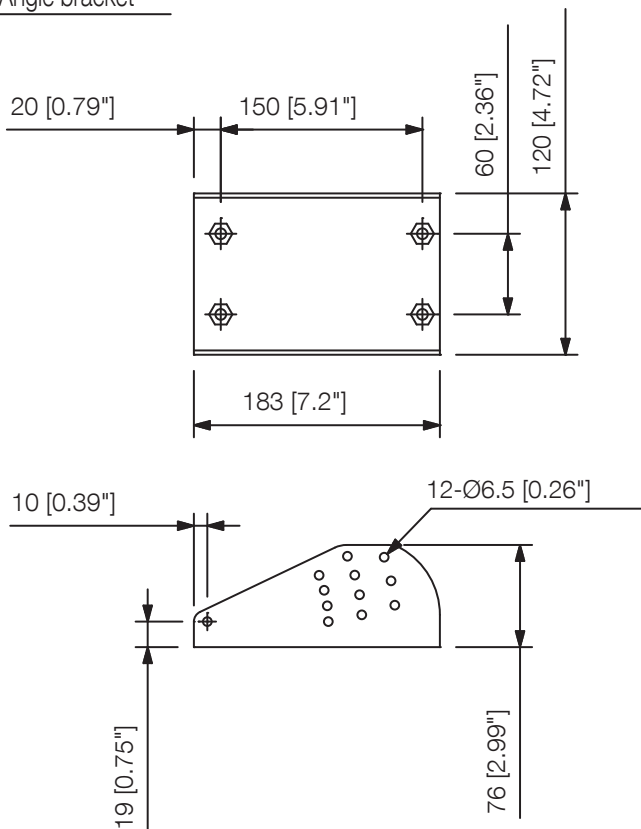
T-bracket



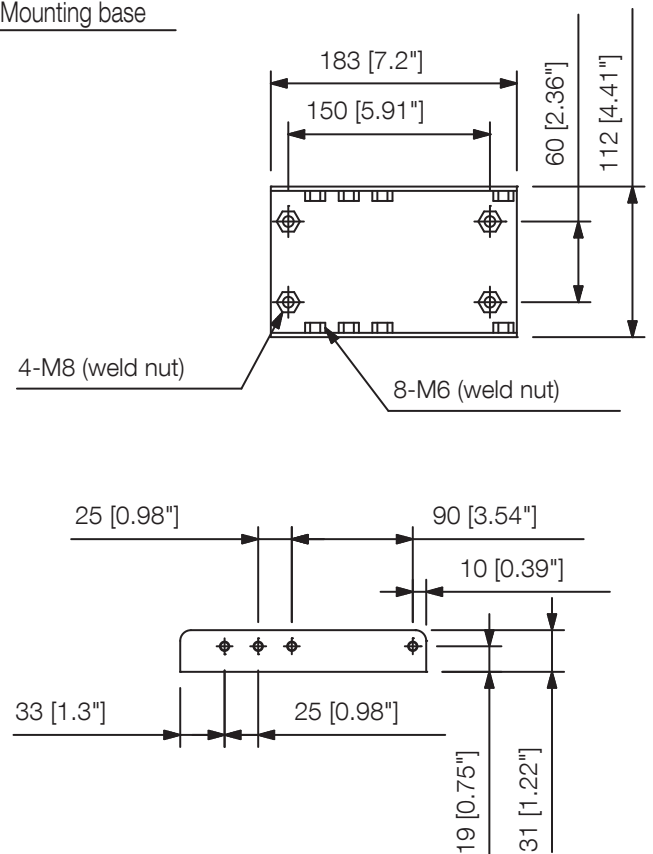
UNIT:mm SCALE:1/6

Dimensions

Angle bracket

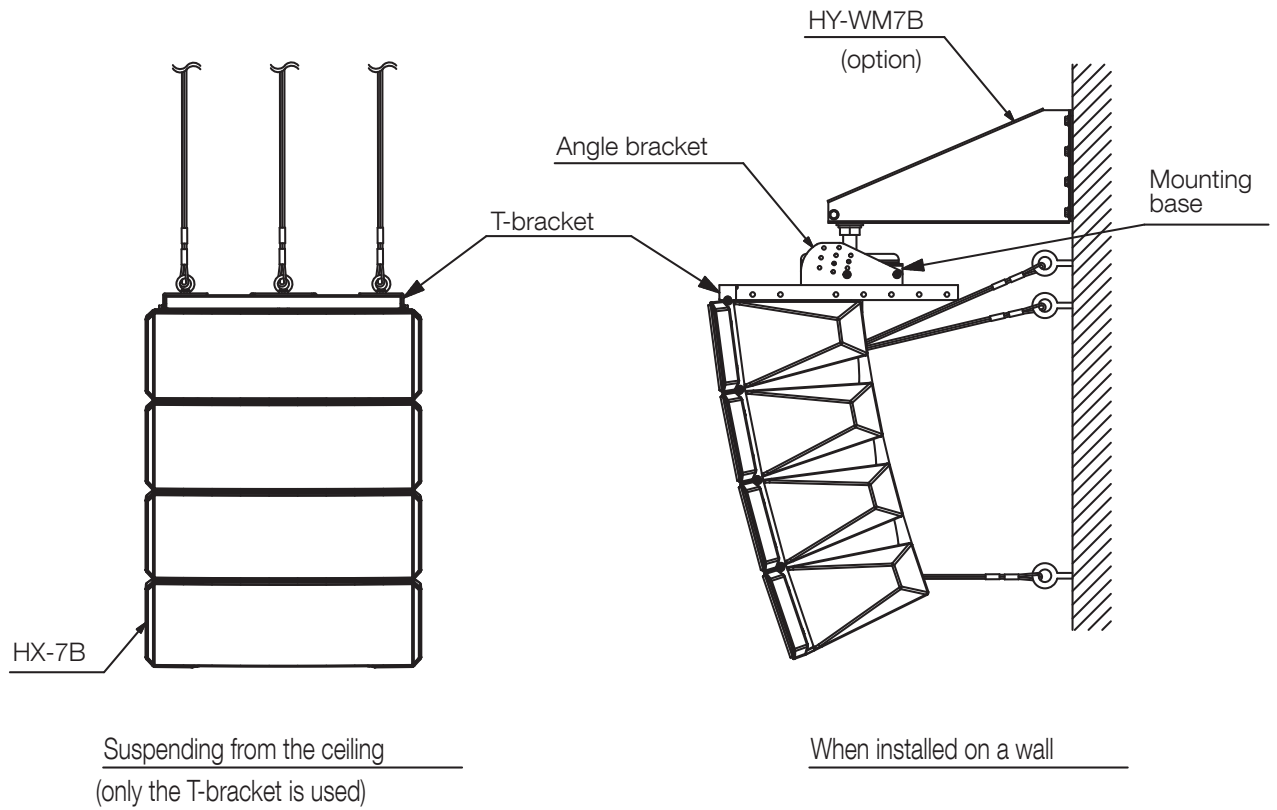


Mounting base



Speaker mounting example (scale: 1/15)

Dimensions



Note: Wires, anchor shackles, and carabiners necessary for hanging are not supplied with the product.

UNIT:mm

SCALE:1/6

A&E specifications

UNDEFINED TEXT