

HY-TM7W-WP

SPEAKER RIGGING BRACKET



The HY-TM7W-WP Speaker Rigging Bracket is used to suspend the HX-7W-WP Speaker System directly from ceilings, beams or other building structures. This bracket is designed for outdoor use.

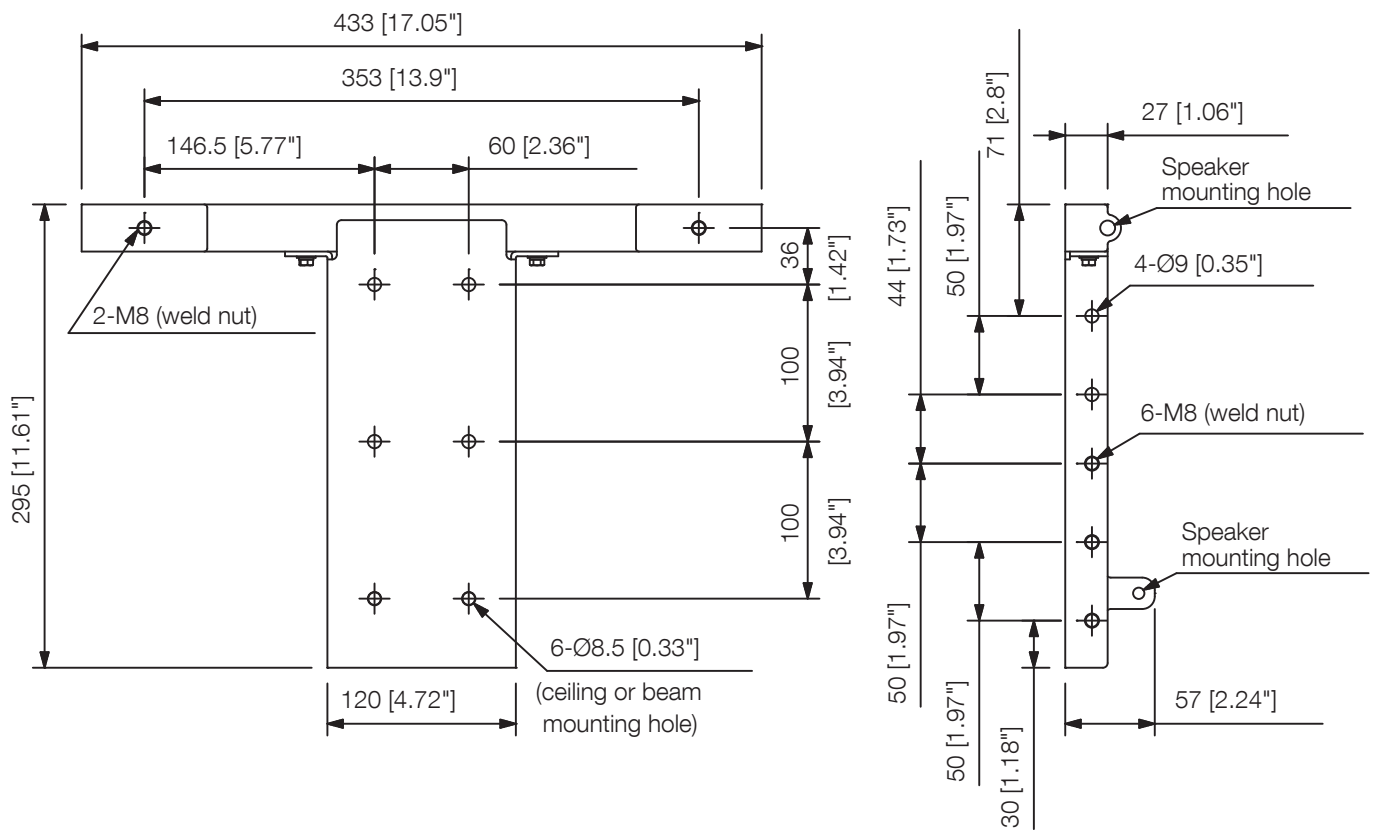
Key features

- outdoor use

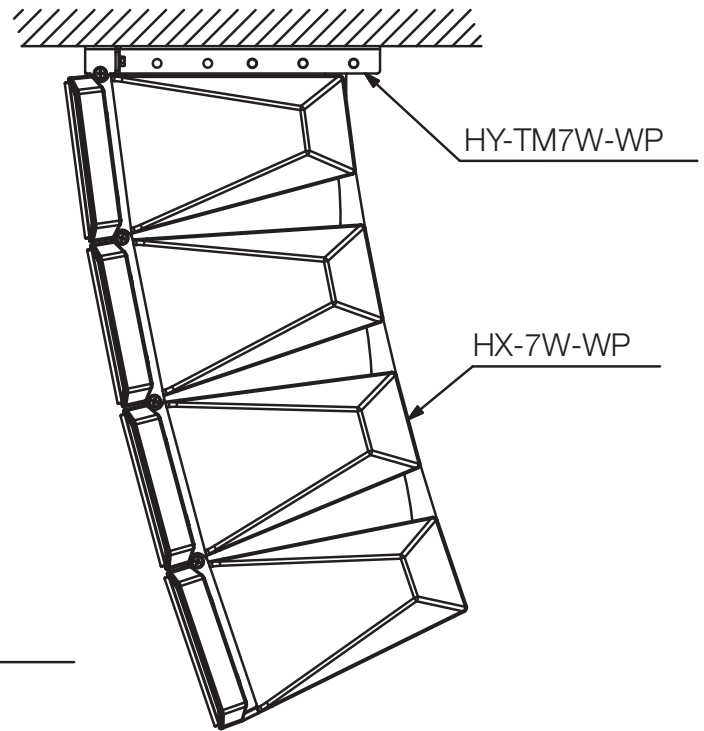
Specifications

Finish	Stainless steel, white, semi-gloss, paint
Dimensions	433 (W) x 57 (H) x 295 (D) mm (17.05" x 2.24" x 11.61")
Weight	2 kg (4.41 lb)
Included Accessories	Speaker mounting bolt ...1 set

Dimensions



Dimensions



Speaker mounting example (scale: 1/10)

UNIT:mm

SCALE:1/5

A&E specifications

UNDEFINED TEXT