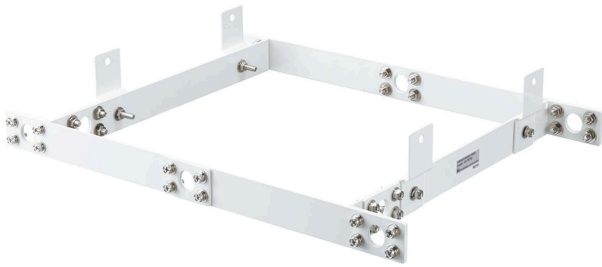


HY-PF7W

SPEAKER RIGGING FRAME



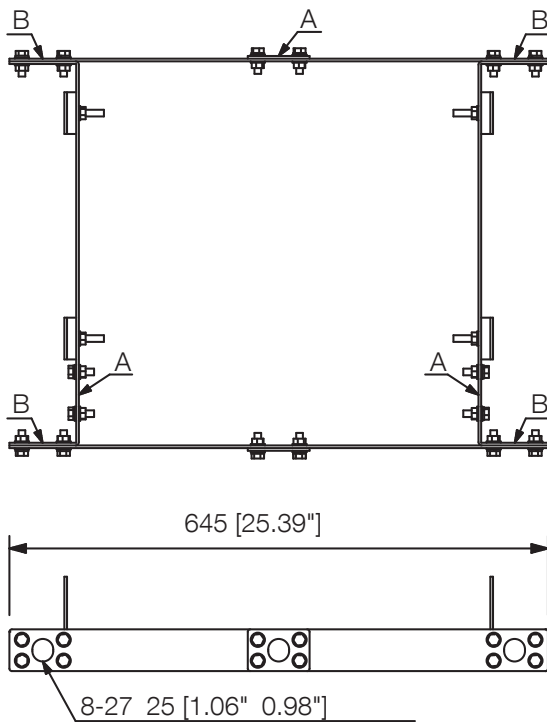
The HY-PF7W is used exclusively to suspend the HX-7W speaker system from the ceiling. The FB-150W Subwoofer can be suspended using this frame and the frame's supplied mounting brackets.

Key features

Specifications

Finish	Steel plate, white, semi-gloss, paint
Dimensions	645 (W) x 50 (H) x 472 (D) mm (25.39 x 1.97" x 18.58") (excluding projection)
Weight	4 kg (8.82 lb)
Included Accessories	Subwoofer mounting bracket ...1 set, Bracket mounting bolt ...1 set

Dimensions



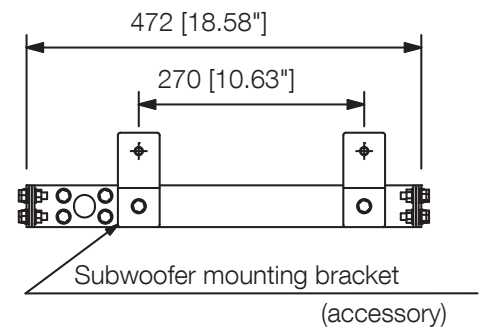
Hanging the HX-7W

Hanging the HX-7W with the FB-150W mounted

Holes A are used for hanging between the HY-PF7W and the HX-7W (3-point hanging), and Holes B for hanging between the HY-PF7W and the ceiling (4-point hanging).

Hanging the FB-150W

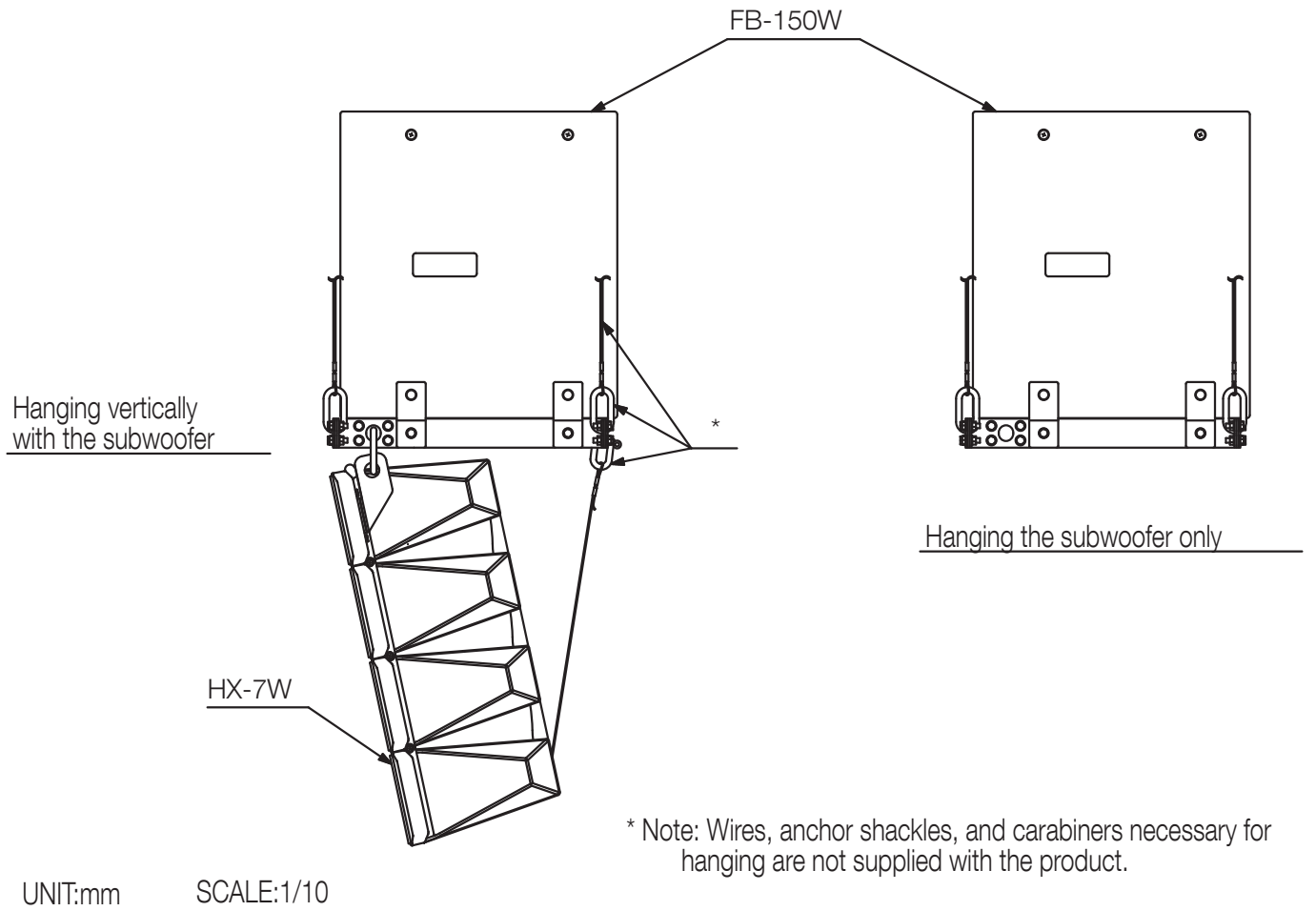
Holes B are used for hanging between the HY-PF7W and the ceiling (4-point hanging).



Example for HX-7W and FB-150W mounting

(scale :1/15)

Dimensions



A&E specifications

UNDEFINED TEXT