

## HY-PF7B

### SPEAKER RIGGING FRAME



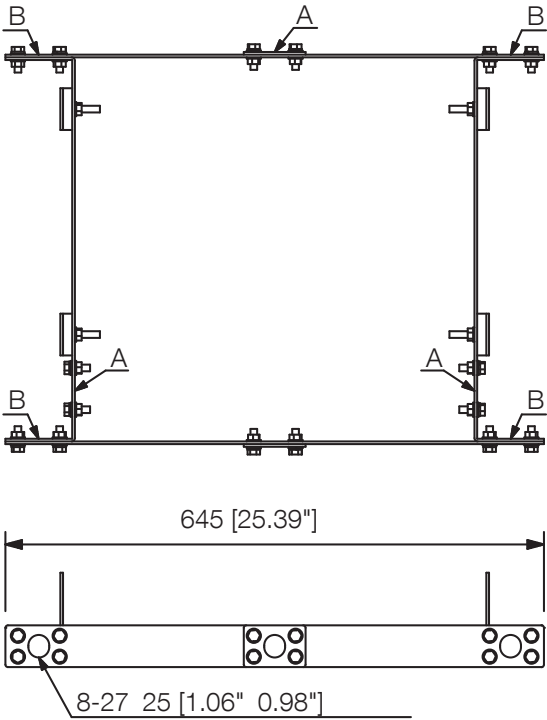
The HY-PF7B is used exclusively to suspend the HX-7B speaker system from the ceiling. The FB-150B Subwoofer can be suspended using this frame and the frame's supplied mounting brackets.

### Key features

# Specifications

Finish	Steel plate, black, semi-gloss, paint
Dimensions	645 (W) x 50 (H) x 472 (D) mm (25.39 x 1.97" x 18.58") (excluding projection)
Weight	4 kg (8.82 lb)
Included Accessories	Subwoofer mounting bracket ...1 set, Bracket mounting bolt ...1 set

# Dimensions

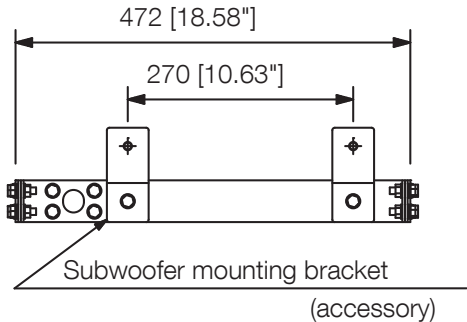


Hanging the HX-7B  
Hanging the HX-7B with the FB-150B mounted

Holes A are used for hanging between the HY-PF7B and the HX-7B (3-point hanging), and Holes B for hanging between the HY-PF7B and the ceiling (4-point hanging).

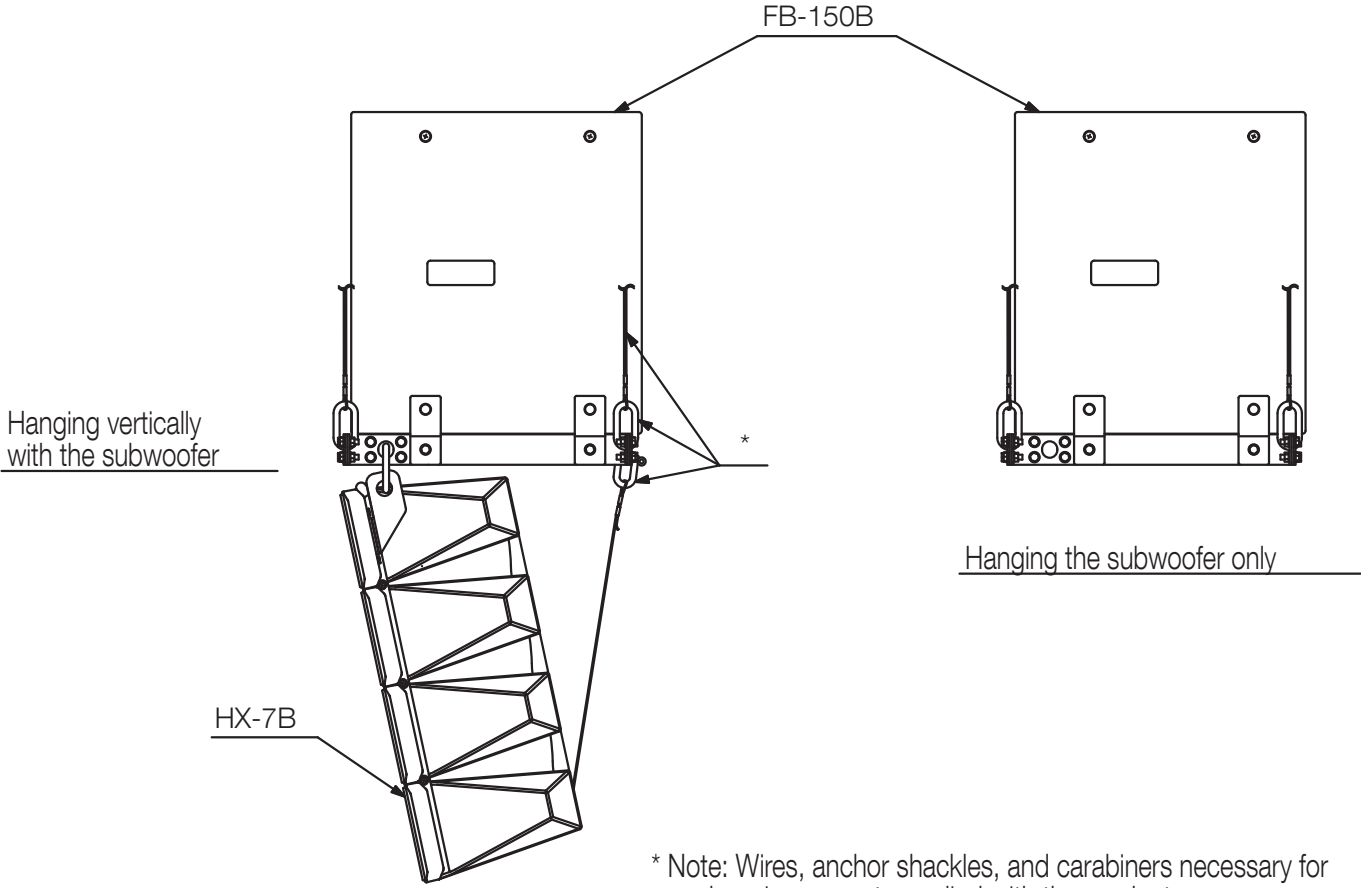
Hanging the FB-150B

Holes B are used for hanging between the HY-PF7B and the ceiling (4-point hanging).



Example for HX-7B and FB-150B mounting  
(scale :1/15)

# Dimensions



UNIT:mm      SCALE:1/10

## A&E specifications

\*UNDEFINED TEXT\*