

## HY-MT7

### MATCHING TRANSFORMER ADAPTER



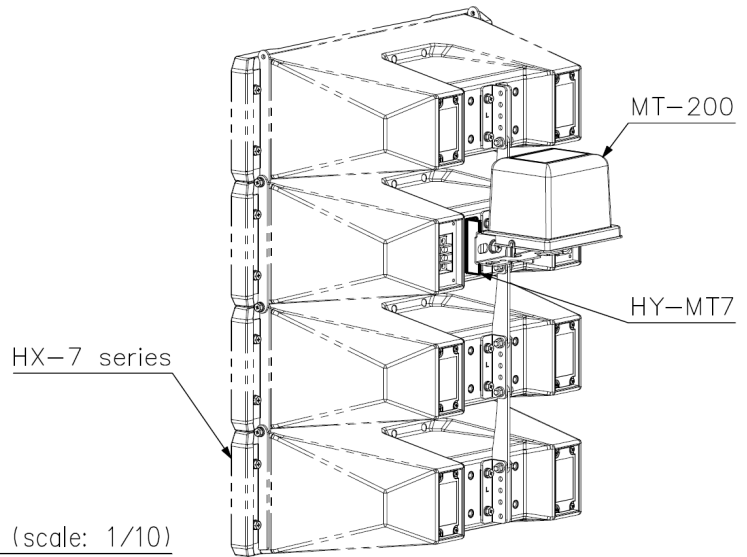
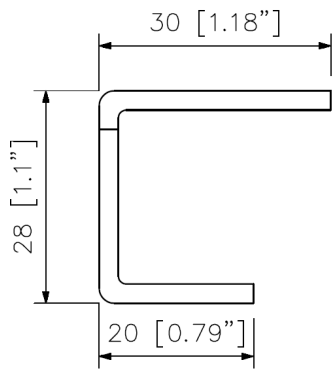
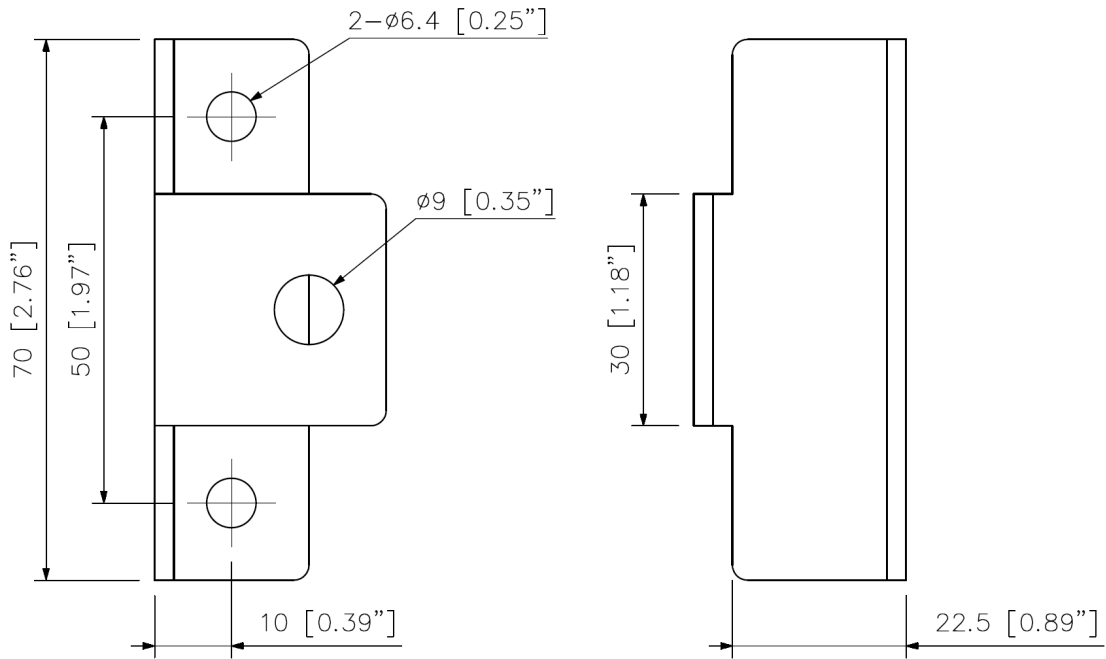
The HY-MT7 Matching Transformer Adapter is designed to mount the MT-200 Matching Transformer to the HX-7 Series Speaker System. It comes in a set of 2 pieces.

### Key features

## Specifications

Compatible Speaker	HX-7B, HX-7W, HX-7B-WP, HX-7W-WP
Finish	Stainless steel, black, semi-gloss, paint
Dimensions	30 (W) x 70 (H) x 28 (D) mm (1.18 x 2.76" x 1.1")
Weight	140 g (0.31 lb)
Included Accessories	Speaker mounting bolt ...4, Matching transformer mounting nut ...2, Matching transformer mounting washer ...2

# Dimensions



UNIT: mm

## A&E specifications

\*UNDEFINED TEXT\*