

HY-CW1W

SPEAKER MOUNTING BRACKET



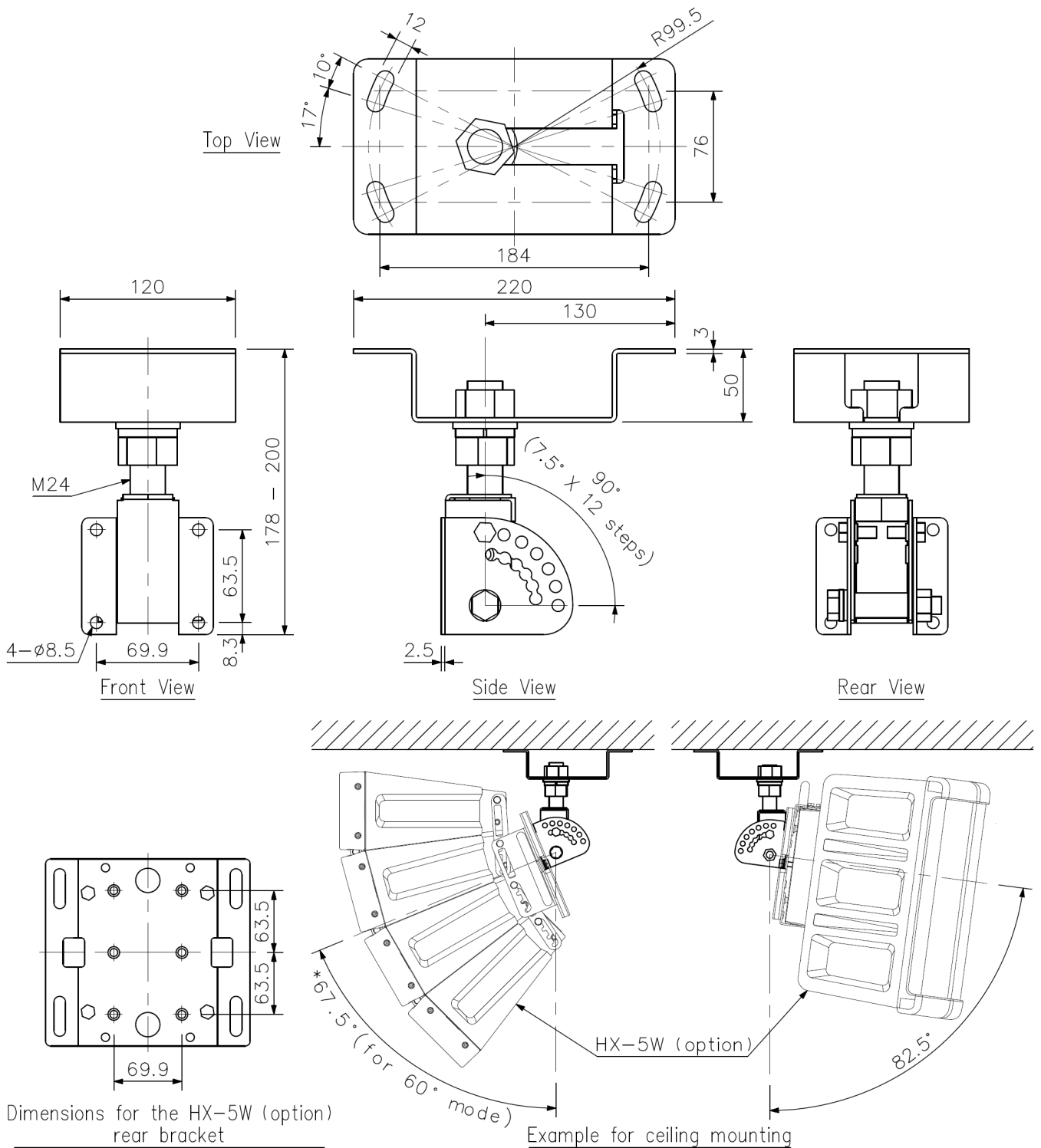
The HY-CW1W is designed to be used exclusively to mount the HX-5 series speaker system to a ceiling. The speaker can be rotated 360° horizontally. It can also be tilted vertically up to 82.5° when suspended horizontally, and depending on the speaker directivity mode, up to 67.5° (for 60° mode) or 75° (for 15°, 30° or 45° mode) when suspended vertically. This bracket is designed for indoor use.

Key features

Specifications

Finish	Steel plate, white, semi-gloss, paint
Dimensions	120 (W) x 200 (H) x 220 (D) mm
Weight	2 kg
Included Accessories	Speaker rear bracket mounting bolt (M8) with washer ...4

Dimensions



UNIT: mm

* 75° (for 15°, 30° or 45° mode)