

HY-CW1B

SPEAKER MOUNTING BRACKET



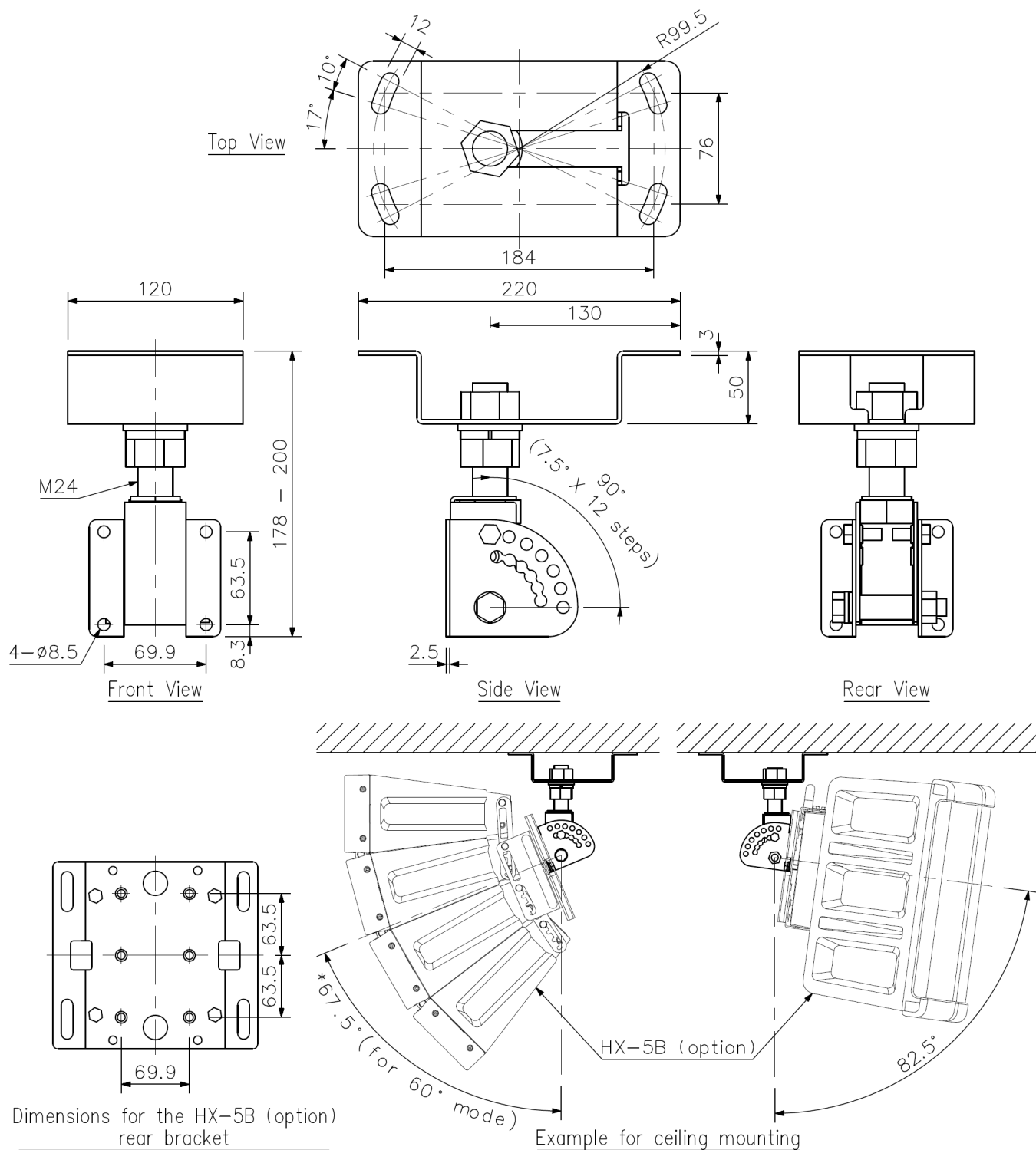
The HY-CW1B is designed to be used exclusively to mount the HX-5 series speaker system to a ceiling. The speaker can be rotated 360° horizontally. It can also be tilted vertically up to 82.5° when suspended horizontally, and depending on the speaker directivity mode, up to 67.5° (for 60° mode) or 75° (for 15°, 30° or 45° mode) when suspended vertically. This bracket is designed for indoor use.

Key features

Specifications

| | |
|----------------------|--|
| Finish | Steel plate, black, semi-gloss, paint |
| Dimensions | 120 (W) x 200 (H) x 220 (D) mm |
| Weight | 2 kg |
| Included Accessories | Speaker rear bracket mounting bolt (M8) with washer ...4 |

Dimensions



UNIT:mm

* 75° (for 15°, 30° or 45° mode)