

## HY-CN7B-WP

### SPEAKER CONNECTION BRACKET



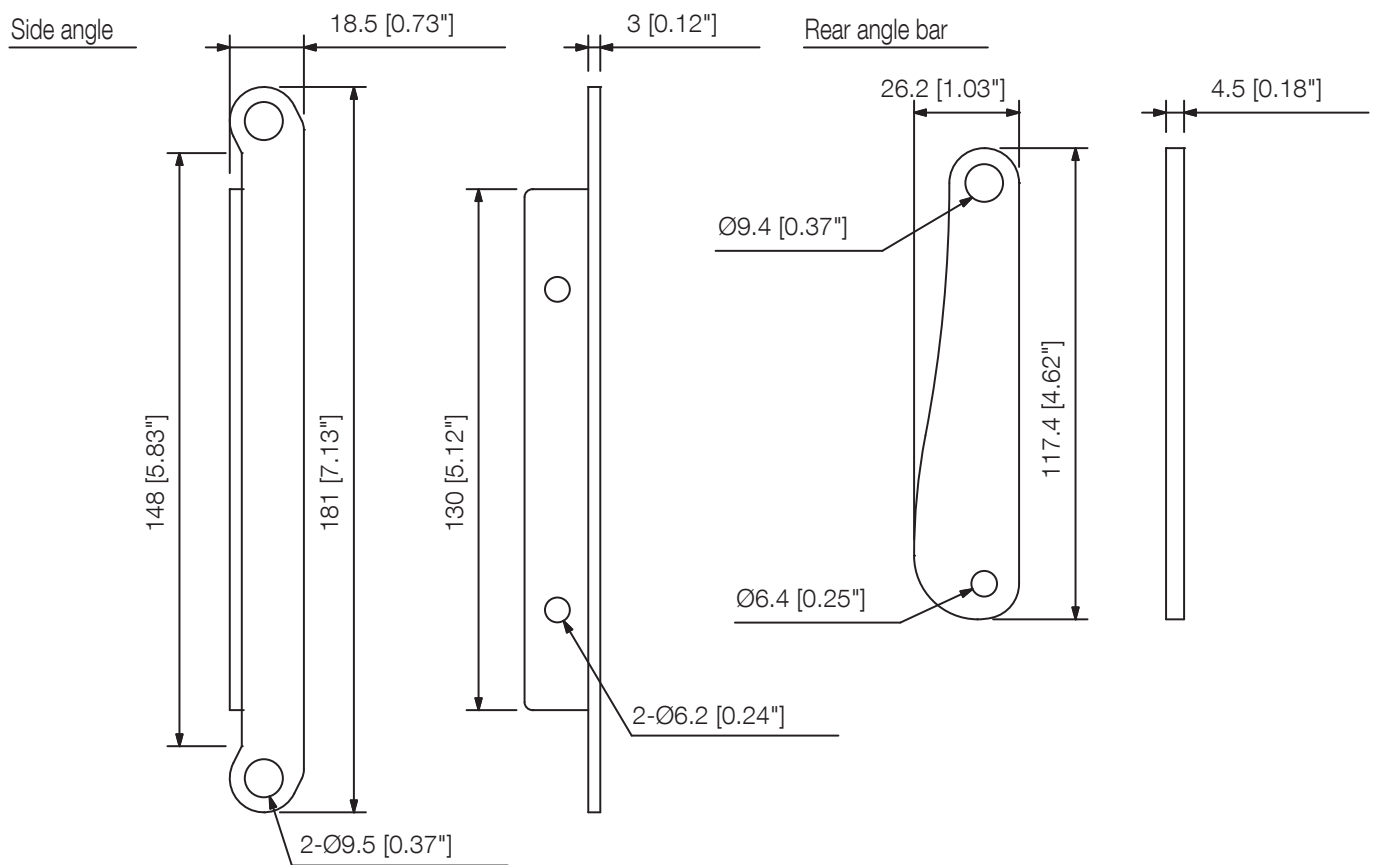
The HY-CN7B-WP is used to join 2 HX-7B-WP speaker systems, typically for the purpose of achieving better speaker directivity control in lower frequencies. Such directivity control helps achieve clearer and longer-range sound reproduction in locations where sound efficiency may be hampered by conditions like long reverberation time or a high level of background noise. This bracket is designed for outdoor use.

### Key features

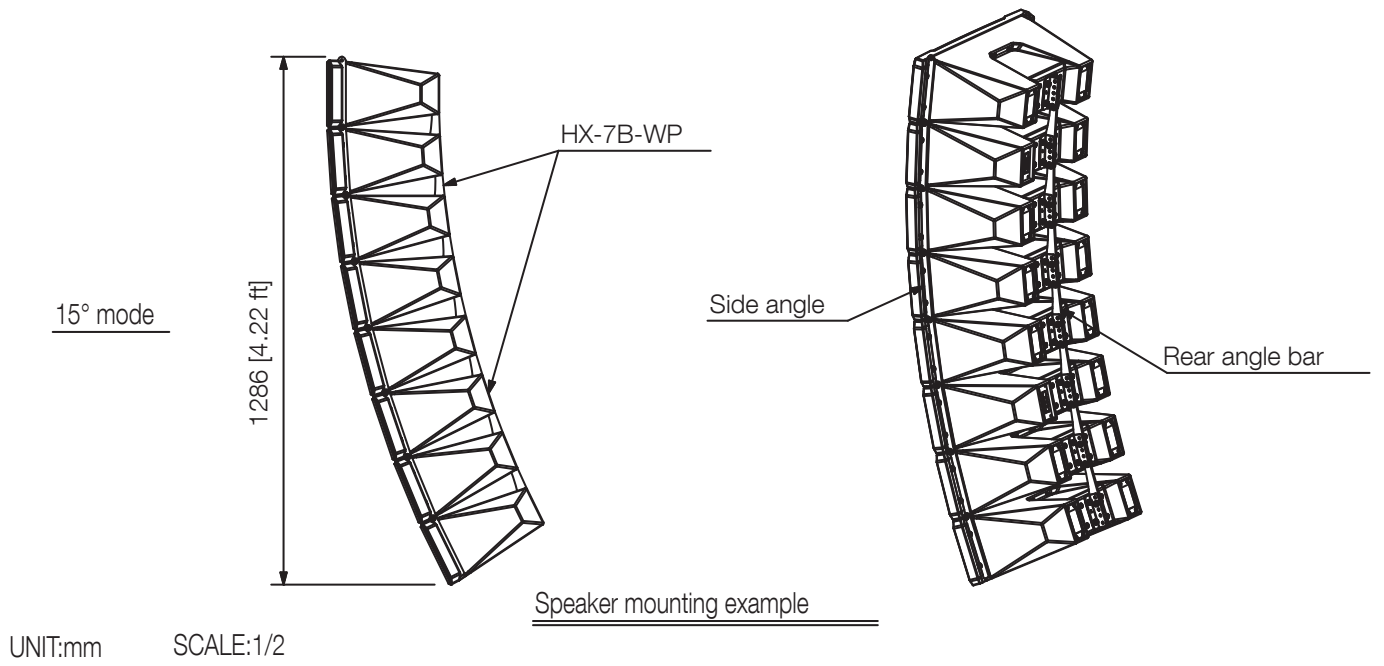
## Specifications

Finish	Stainless steel, black, semi-gloss, paint
Weight	300 g (0.66 lb)
Included Accessories	Spacer (golden) ...2, Spacer (black) ...1, Rubber ring ...2, Flange nut...2, Rear angle bar mounting bolt ...2, Side angle mounting bolt ...2
Product Composition	Side angle ...2, Rear angle bar ...1

## Dimensions



## Dimensions



## A&E specifications

\*UNDEFINED TEXT\*