

HY-C0801

CEILING MOUNT BRACKET



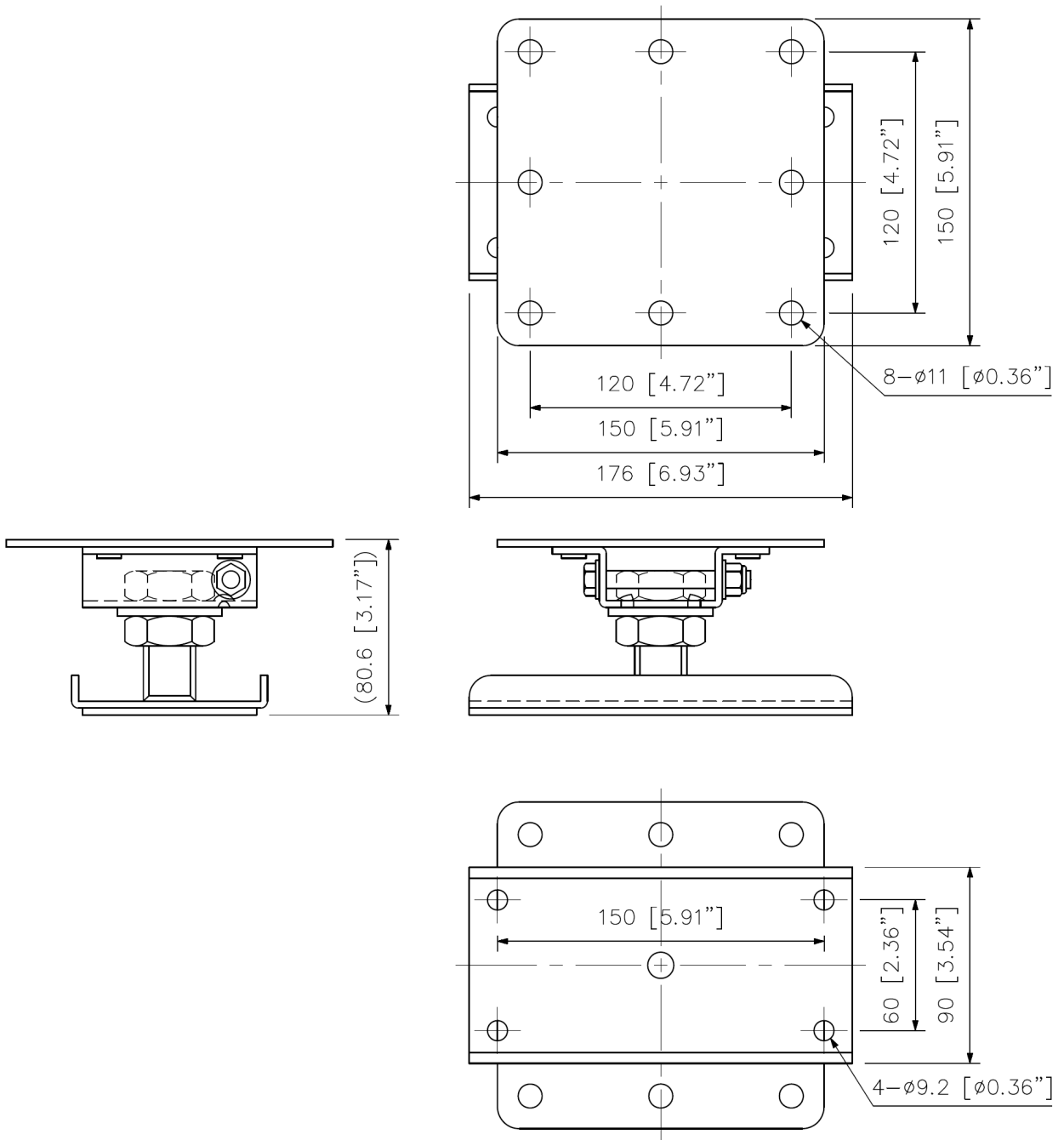
The HY-C0801 Ceiling Mount Bracket is designed to mount the speaker system to a ceiling in conjunction with the optional speaker mount bracket.

Key features

Specifications

Maximum Load Capacity	32 kg (70.55 lb)
Compatible Speaker	HS-120B, HS-150B, HS-1200BT, HS-1500BT
Finish	Rolled steel plate, black, semi-gloss, paint
Weight	1.9 kg (4.19 lb)
Included Accessories	Speaker mounting bolt (with washer) 4
Optional Accessories	Mounting bracket: HY-0851ST, HY-0852ST, HY-1200HB, HY-1200VB, HY-1500HB, HY-1500VB

Dimensions



UNIT: mm

Note: Numerical values in parentheses are for reference only.

A&E specifications

UNDEFINED TEXT