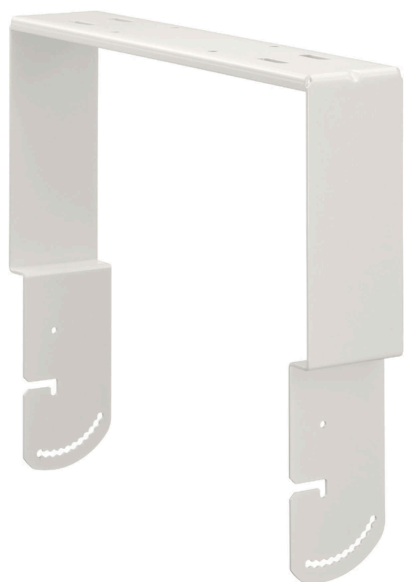


HY-1500VW

MOUNTING BRACKET



HY-1500VW

The HY-1500VW Mount Bracket is designed to mount speaker system to a wall or ceiling in a vertical configuration. It allows the speaker orientation angle to be adjusted from 15° upward to 60° downward when mounted on a wall, and from 15° upward to 90° downward when mounted to a ceiling.

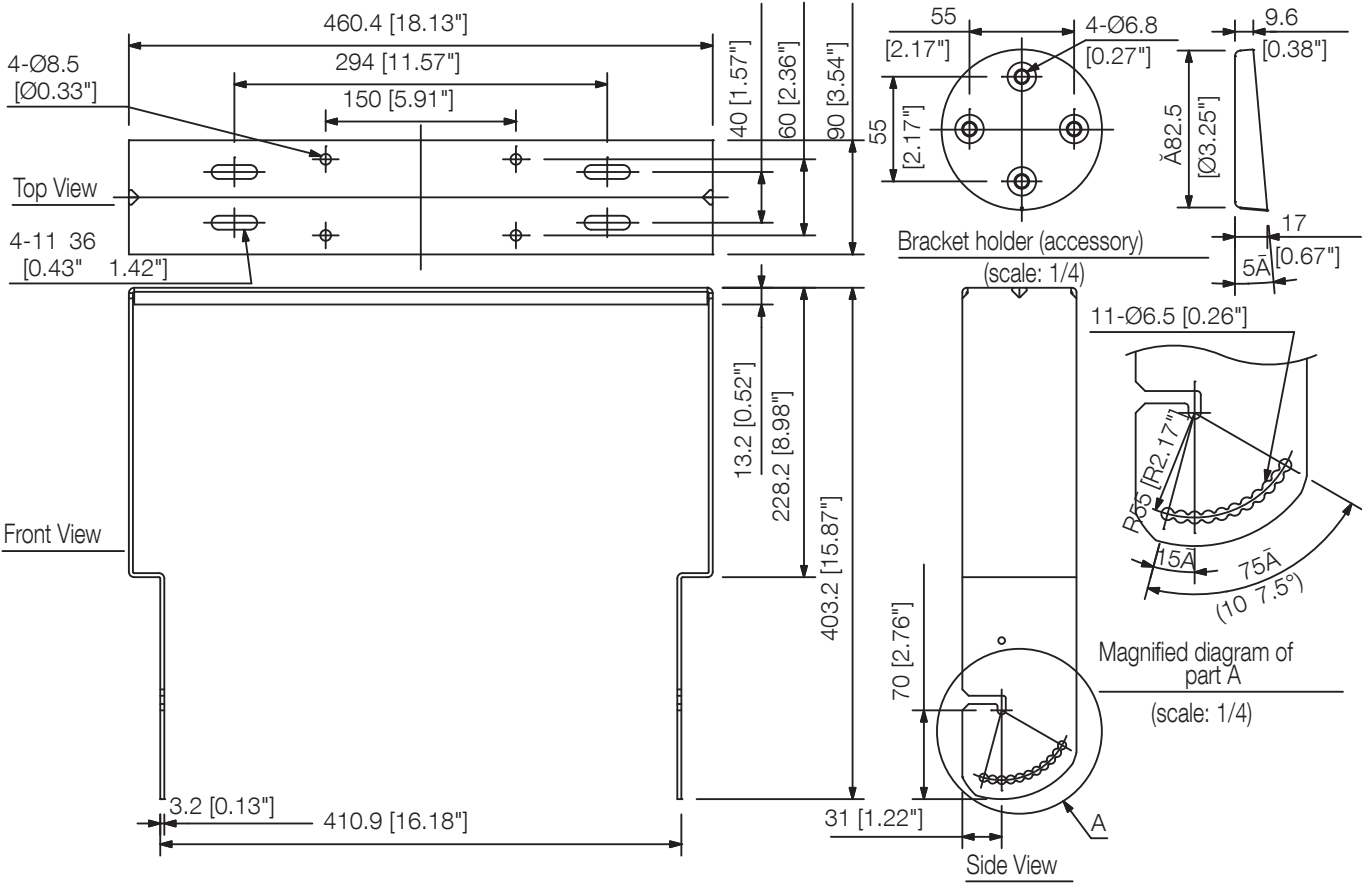
Key features

- Designed exclusively for the vertical installation of HS-150W and HS-1500WT speaker systems to a wall or ceiling

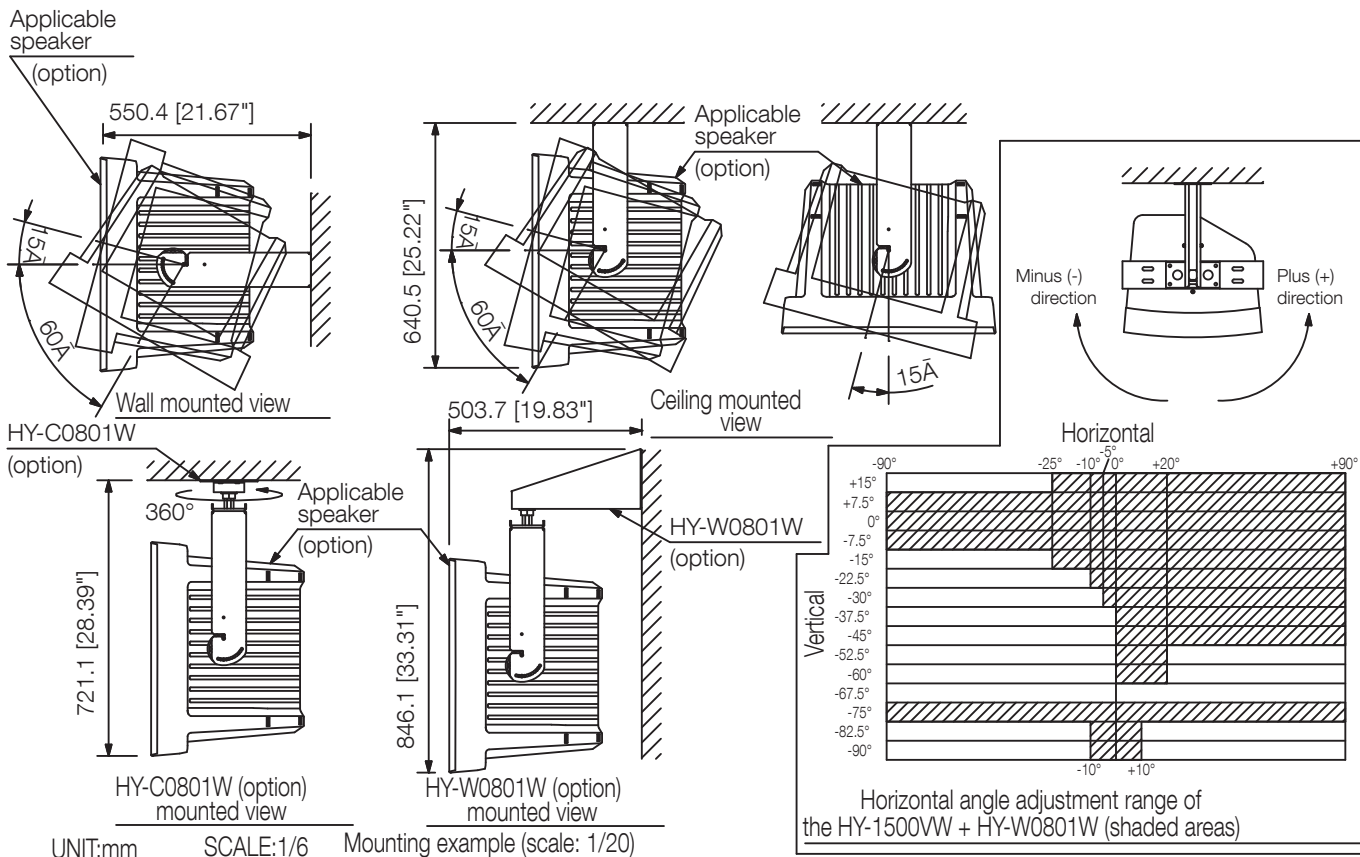
Specifications

Compatible Speaker	HS-150W, HS-1500WT
Finish	Steel plate, white, paint
Dimensions	460.4 (W) x 403.2 (H) x 90 (D) mm (18.13 x 15.87" x 3.54")
Weight	3 kg (6.61 lb)
Included Accessories	Bracket holder ...2, Bracket holder mounting screw ...4, Speaker mounting screw ...4, Nut for the optional bracket ...4, Washer for the optional bracket ...4
Optional Accessories	Ceiling mount bracket: HY-C0801W, Wall mount bracket: HY-W0801W

Dimensions



Dimensions



A&E specifications

The Mounting Bracket shall be designed exclusively for the vertical installation of HS-150W and HS-1500WT speaker systems to a wall or ceiling. The Mounting Bracket shall allow for vertical orientation angle adjustment from 15° upward to 60° downward when wall mounted and from 15° upward to 90° downward when ceiling mounted, and shall be constructed of white painted steel plate. The Mounting Bracket shall have overall dimensions of 460.4 (W) x 403.2 (H) x 90 (D) mm (18.13" x 15.87" x 3.54") and shall have a weight of 3 kg (6.61 lb).

Optional extras: Ceiling mount bracket (HY-C0801W), Wall mount bracket (HY-W0801W).

Manufacturer: TOA Corporation.

Model: HY-1500WB.