

HY-1500HB

MOUNTING BRACKET



HY-1500HB

The HY-1500HB Mount Bracket is designed to mount speaker system to a wall or ceiling in a horizontal configuration. It allows the speaker orientation angle to be adjusted from 15° upward to 60° downward when mounted on a wall, and from 0° (horizontal) to 90° downward when mounted to a ceiling.

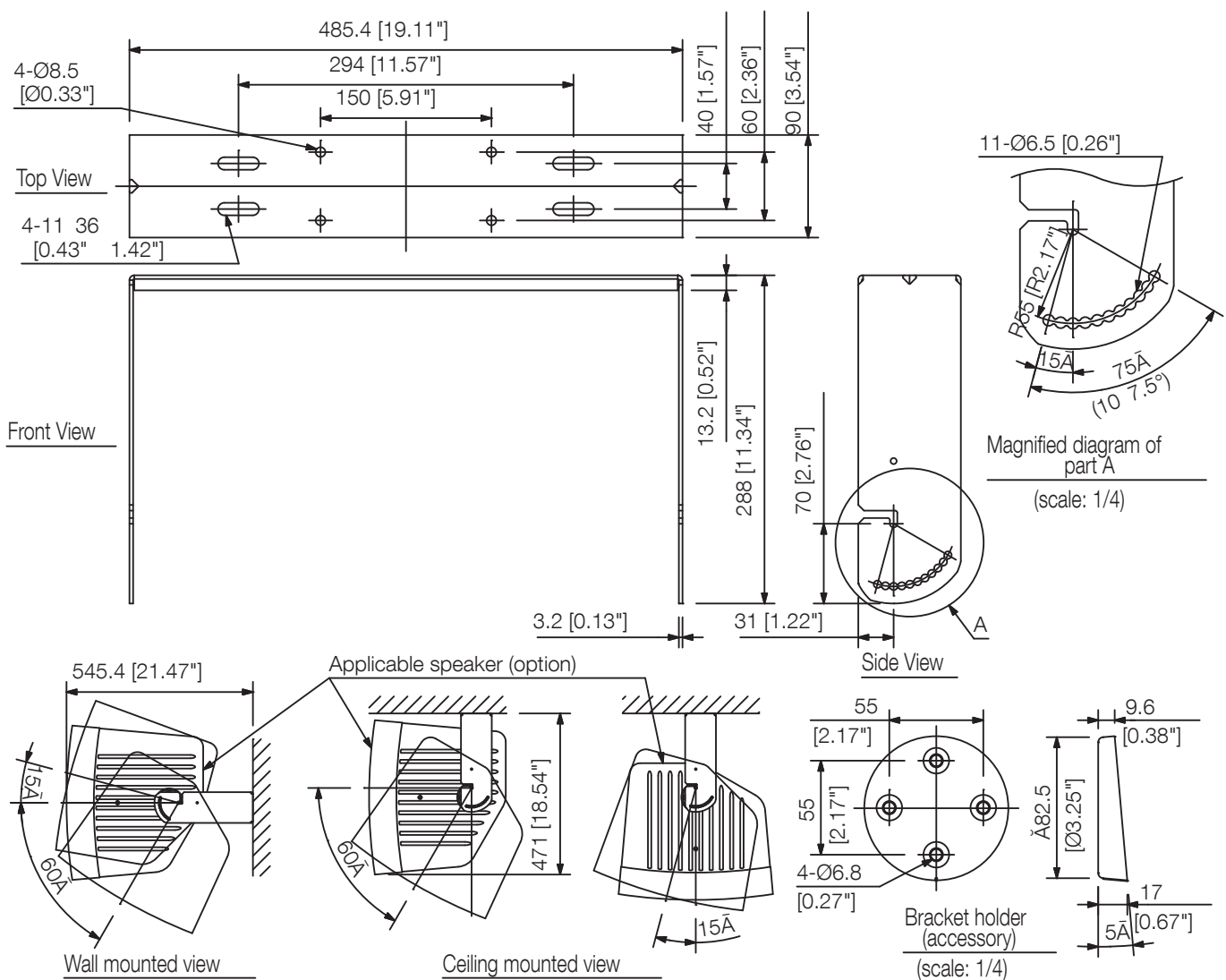
Key features

- Designed exclusively for the horizontal installation of compatible HS-150B and HS-1500BT speaker systems to a wall or ceiling.

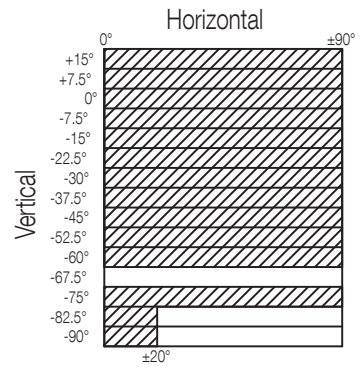
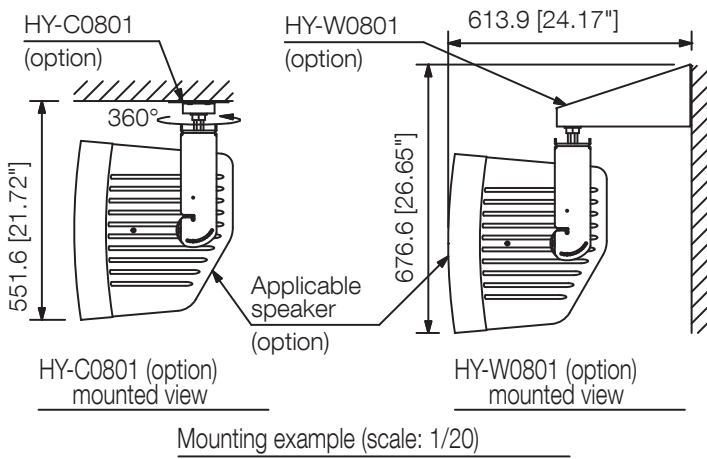
Specifications

Compatible Speaker	HS-150B, HS-1500BT
Finish	Steel plate, black, paint
Dimensions	485.4 (W) x 288 (H) x 90 (D) mm (19.11 x 11.34" x 3.54")
Weight	2.4 kg (5.29 lb)
Included Accessories	Bracket holder ...2, Bracket holder mounting screw ...4, Speaker mounting screw ...4, Nut for the optional bracket ...4, Washer for the optional bracket ...4
Optional Accessories	Ceiling mount bracket: HY-C0801, Wall mount bracket: HY-W0801

Dimensions



Dimensions



Horizontal angle adjustment range of the HY-1500HB + HY-W0801 (shaded areas)

UNIT:mm

SCALE:1/6

A&E specifications

The Mounting Bracket shall be designed exclusively for the horizontal installation of compatible HS-150B and HS-1500BT speaker systems to a wall or ceiling. The Mounting Bracket shall allow for orientation angle adjustment from 15° upward to 60° downward when wall mounted and uniquely from 0° (horizontal) to 90° downward when ceiling mounted. Constructed of black painted steel plate, the unit shall have overall dimensions of 485.4 (W) x 288 (H) x 90 (D) mm (19.11" x 11.34" x 3.54") and a weight of 2.4 kg (5.29 lb).

Optional extras: Ceiling mount bracket (HY-C0801), Wall mount bracket (HY-W0801).

Manufacturer: TOA Corporation.

Model: HY-1500HB.