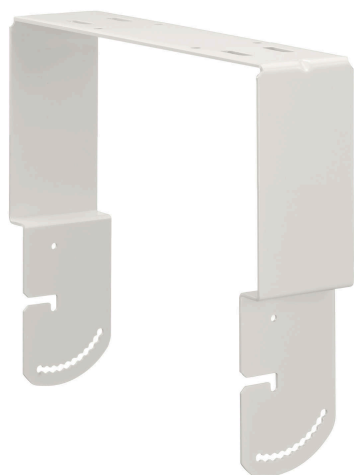


## HY-1200VW

### MOUNTING BRACKET



HY-1200VW

The HY-1200VW Mounting Bracket is designed to mount speaker system to a wall or ceiling in a vertical configuration. It allows the speaker orientation angle to be adjusted from 15° upward to 60° downward when mounted on a wall, and from 15° upward to 90° downward when mounted to a ceiling.

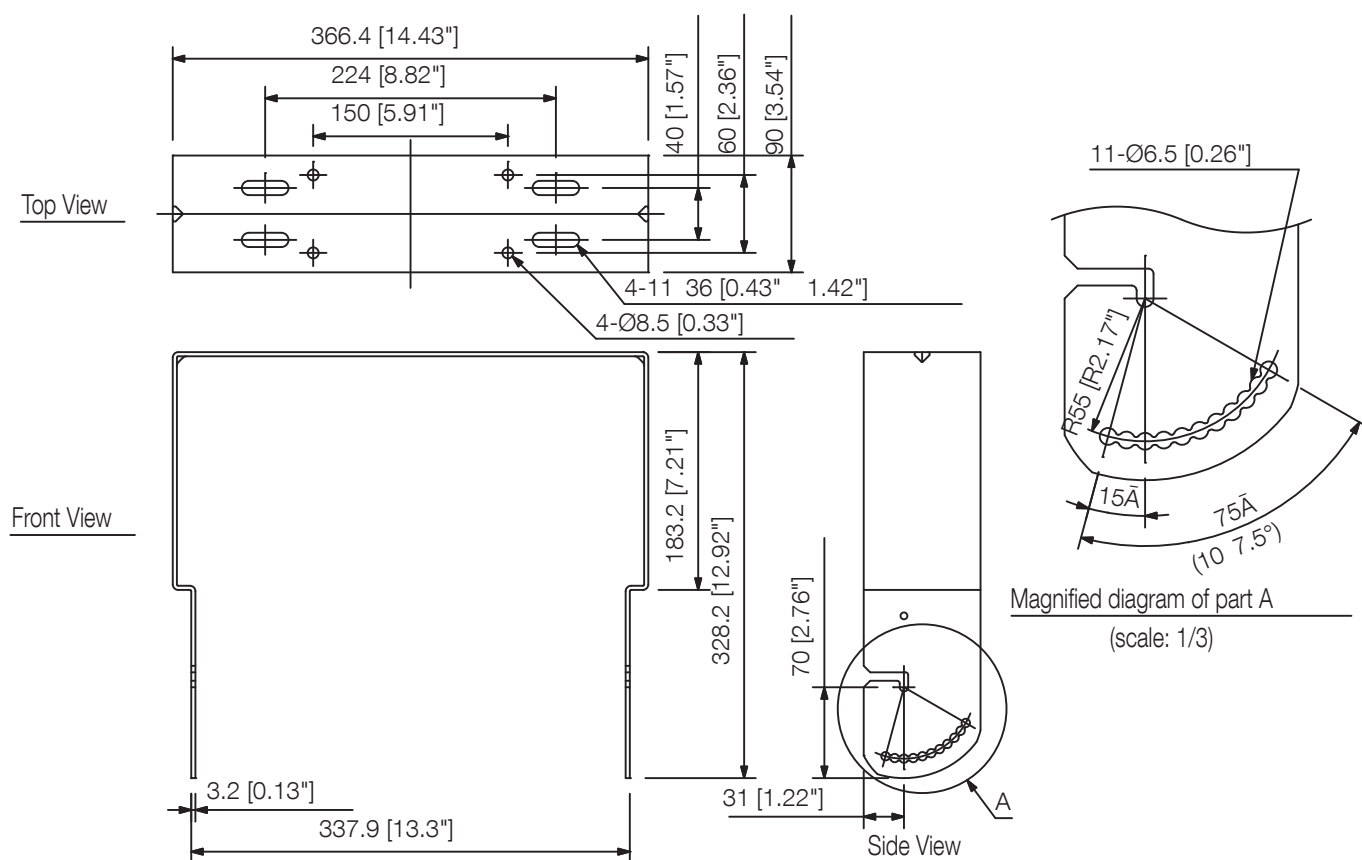
### Key features

- Designed exclusively for vertical installation of compatible HS-120W and HS-1200WT speaker systems to a wall or ceiling.

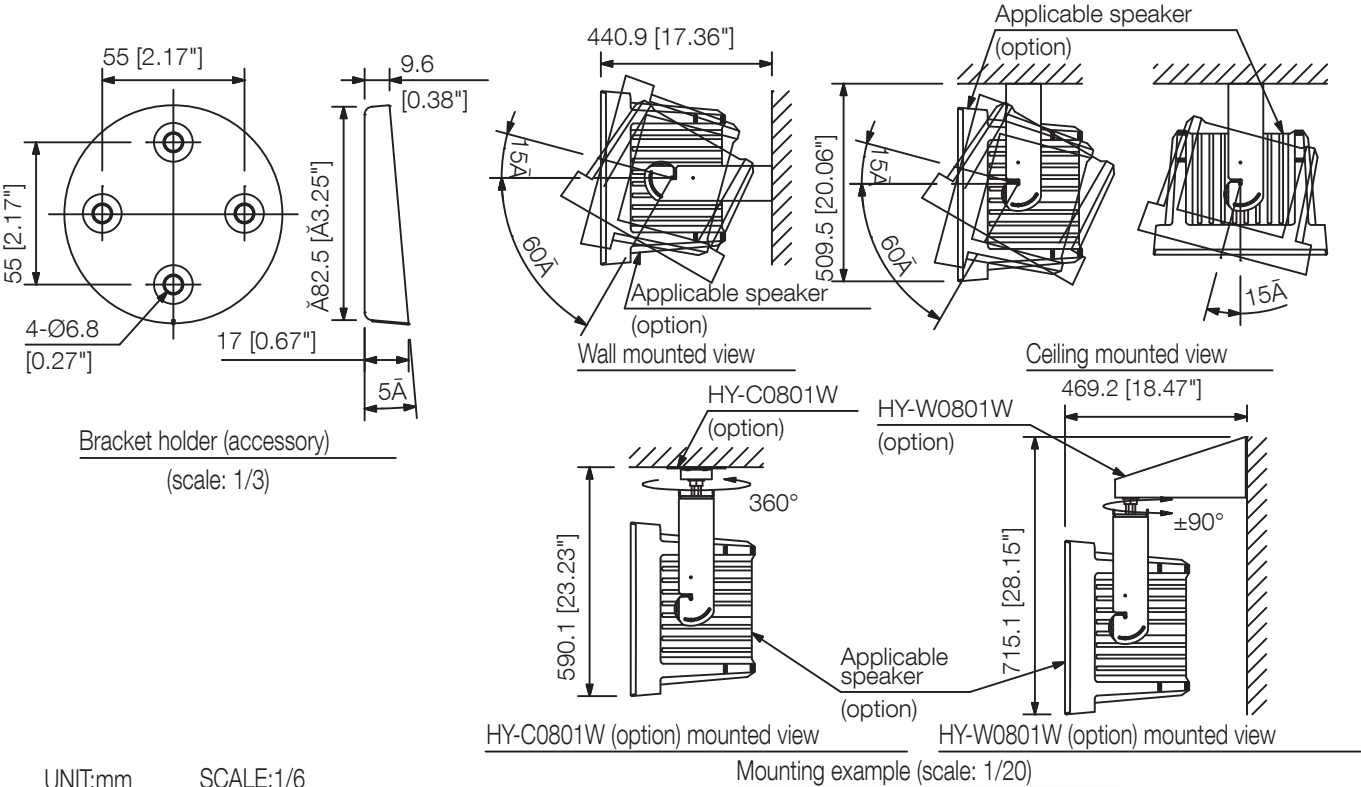
## Specifications

Compatible Speaker	HS-120W, HS-1200WT
Finish	Steel plate, white, paint
Dimensions	366.4 (W) x 328.2 (H) x 90 (D) mm (14.43 x 12.92" x 3.54")
Weight	2.2 kg (4.85 lb)
Included Accessories	Bracket holder ...2, Bracket holder mounting screw ...4, Speaker mounting screw ...4, Nut for the optional bracket ...4, Washer for the optional bracket ...4
Optional Accessories	Ceiling mount bracket: HY-C0801W, Wall mount bracket: HY-W0801W

## Dimensions



# Dimensions



UNIT:mm SCALE:1/6

## A&E specifications

The Mounting Bracket shall be designed exclusively for vertical installation of compatible HS-120W and HS-1200WT speaker systems to a wall or ceiling. The Mounting Bracket shall allow for vertical angle adjustment from 15° upward to 60° downward when wall mounted and 15° upward to 90° downward when ceiling mounted, and shall be constructed of white painted steel plate. The Mounting Bracket shall have overall dimensions of 366.4 (W) x 328.2 (H) x 90 (D) mm (14.43" x 12.92" x 3.54") and a weight of 2.2 kg (4.85 lb), further supporting 360° horizontal angle adjustment when installed in conjunction with an optional Ceiling Mount Bracket.

Optional extras: Ceiling Mount Bracket (HY-C0801W) and Wall Mount Bracket (HY-W0801W).

Manufacturer: TOA Corporation. Model: HY-1200VW.