

HY-1200HW

MOUNTING BRACKET



HY-1200HW

The HY-1200HW Mount Bracket is designed to mount speaker system to a wall or ceiling in a horizontal configuration. It allows the speaker orientation angle to be adjusted from 15° upward to 60° downward when mounted on a wall, and from 0° (horizontal) to 90° downward when mounted to a ceiling.

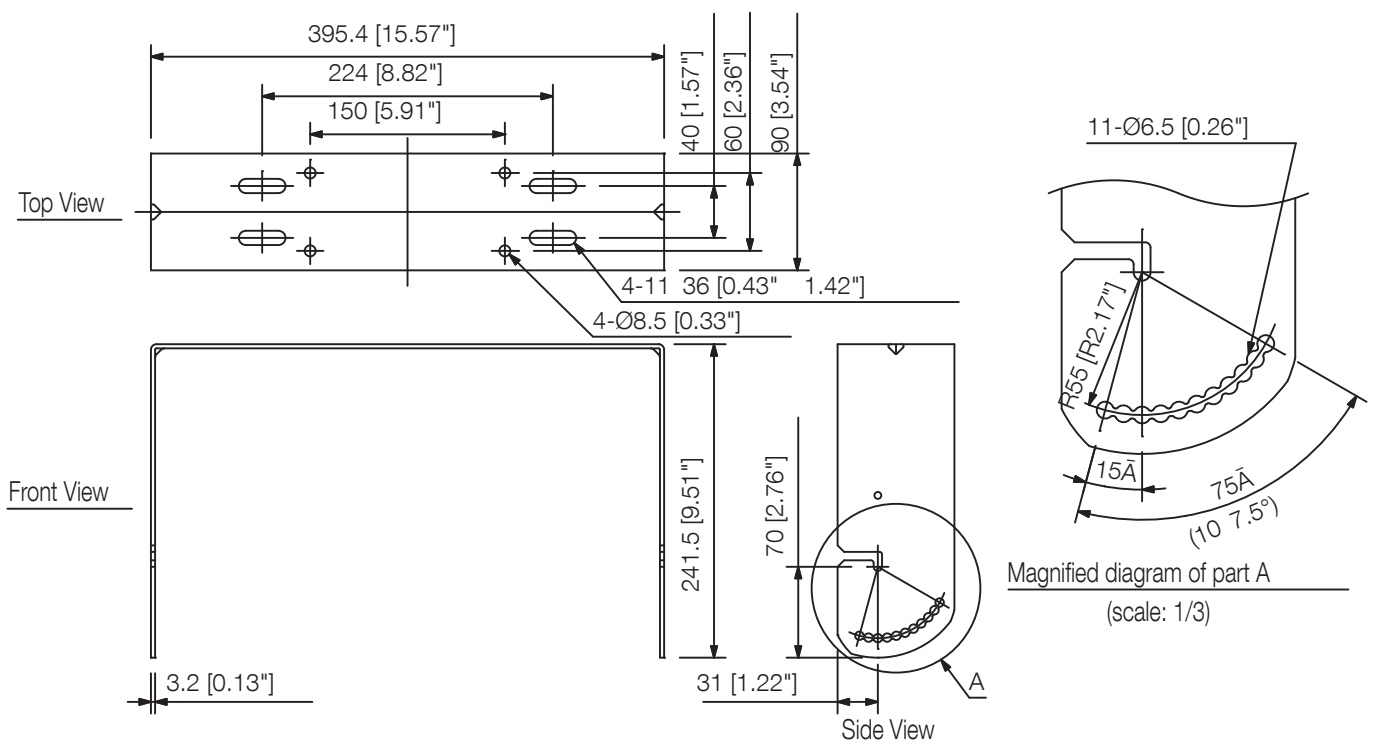
Key features

- Designed exclusively for the horizontal installation of compatible HS-120W and HS-1200WT speaker systems to a wall or ceiling.

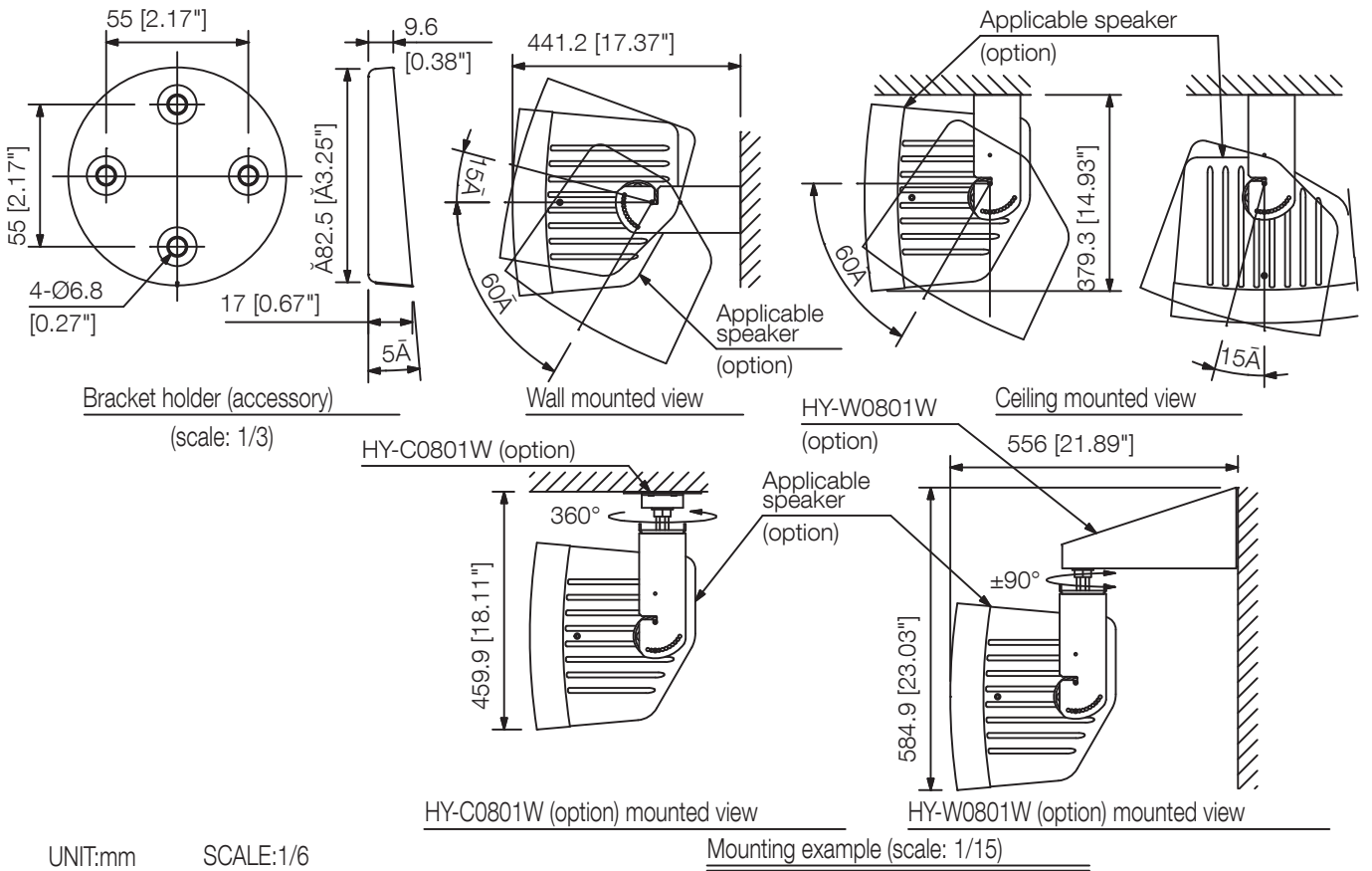
Specifications

Compatible Speaker	HS-120W, HS-1200WT
Finish	Steel plate, white, paint
Dimensions	395.4 (W) x 241.5 (H) x 90 (D) mm (15.57 x 9.51" x 3.54")
Weight	1.9 kg (4.19 lb)
Included Accessories	Bracket holder ...2, Bracket holder mounting screw ...4, Speaker mounting screw ...4, Nut for the optional bracket ...4, Washer for the optional bracket ...4
Optional Accessories	Ceiling mount bracket: HY-C0801W, Wall mount bracket: HY-W0801W

Dimensions



Dimensions



UNIT:mm SCALE:1/6

A&E specifications

The Mounting Bracket shall be designed exclusively for the horizontal installation of compatible HS-120W and HS-1200WT speaker systems to a wall or ceiling. The Mounting Bracket shall allow for angle adjustment from 15° upward to 60° downward when wall mounted and uniquely from 0° (horizontal) to 90° downward when ceiling mounted. Constructed of white painted steel plate, the unit shall have overall dimensions of 395.4 (W) x 241.5 (H) x 90 (D) mm (15.57" x 9.51" x 3.54") and shall have a weight of 1.9 kg (4.19 lb).

Optional extras: Ceiling mount bracket (HY-C0801W), Wall mount bracket (HY-W0801W).

Manufacturer: TOA Corporation.

Model: HY-1200HW.