

## CA-115

### MOBILE AMPLIFIER



The CA-115 is a 1-DIN size unit 15 W car amplifier designed for use with a 12 V battery car.

### Key features

- Mobile amplifier for easy installation in vehicles
- DC operation from 12 V battery
- Rated output 15 W, 30 W or 60 W
- 2 MIC inputs
- AUX input for CD player, radio, etc.
- Unidirectional dynamic microphone with talk switch
- Front pause function
- DIN size, easy in-dash installation
- Rugged construction

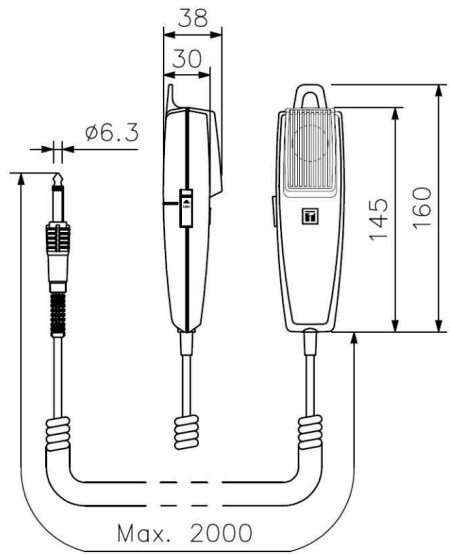
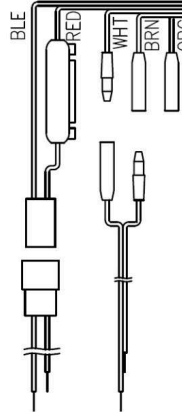
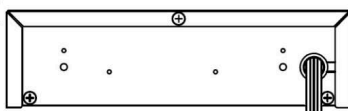
## Specifications

Power Source	Standard voltage: 14 V DC Usable voltage: 10 - 16 V DC (12 V battery used)
Power Consumption	3 A or less at rated output
Rated Output	15 W
Output Impedance	4 $\Omega$ (BRN), 8 $\Omega$ (ORG), Common (WHT) Changeable by changing lead wire connections
Distortion	Less than 5% (at 1,000 Hz rated output)
Frequency Response	100 - 10,000 Hz
Input	Mic1, 2: 600 $\Omega$ , 4 mV, phone jack Aux : 10 k $\Omega$ , 500 mV, phone jack
Finish	Front panel: ABS resin, black Case : Zinc plated steel sheet
Dimensions	178 (W) x 50 (H) x 132 (D) mm (Mounting device excluded)
Weight	900 g
Included Accessories	Microphone holder ..... 1, Mounting bracket ..... 1, Mounting screw ..... 1set, Fuse (4 A) ..... 1, Connection cord ..... 1set
Accessory Microphone	Unidirectional dynamic type with talk switch Impedance: 600 $\Omega$ Sensitivity : -53 dB (1 kHz, 0 dB = 1 V/Pa)

## Dimensions

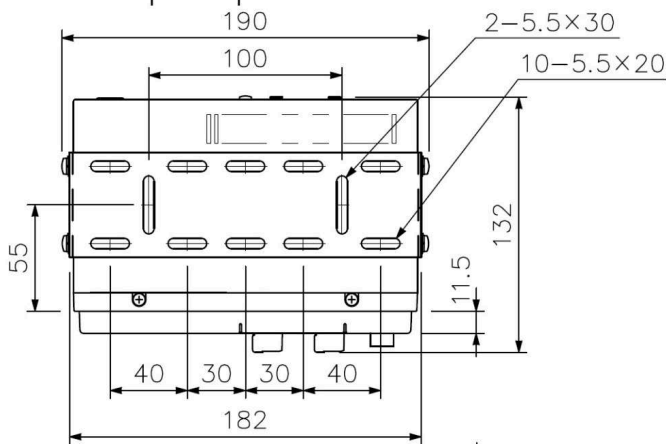
### ■ APPEARANCE

Rear View

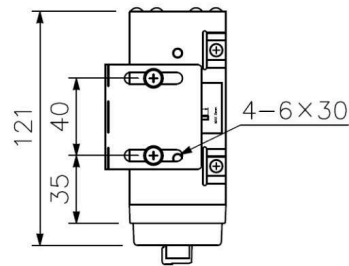
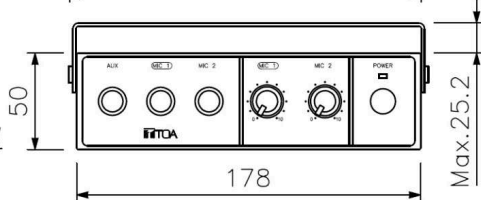


Accessory microphone (1/5)

Top View



Front View



Side View

UNIT: mm SCALE: 1/4