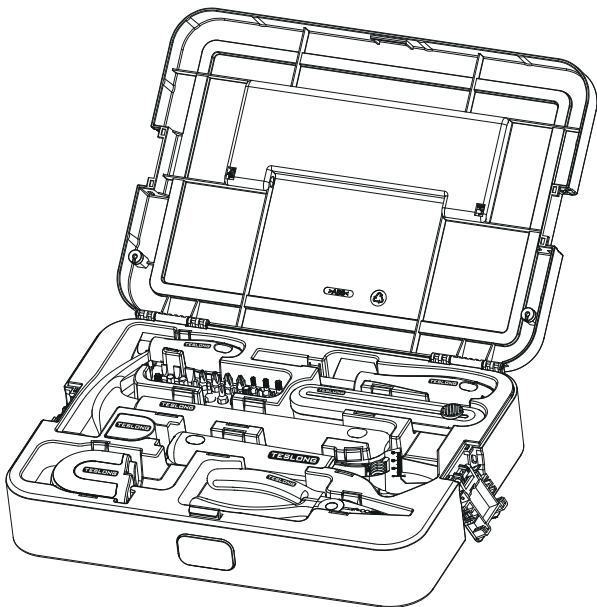


TESLONG

QuickFix Toolkit



User Manual

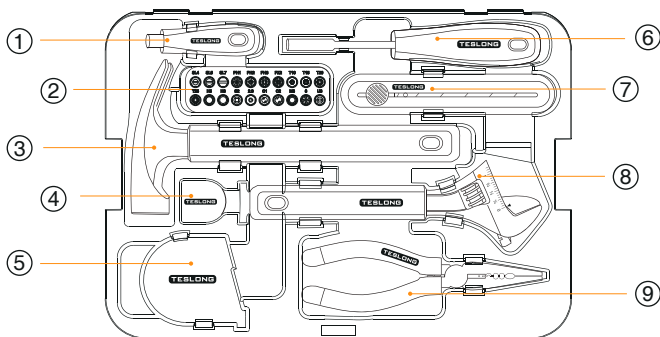
Model: TS01-P07

WHAT'S IN THE BOX?

Product Name	Quantity
Crescent Wrench	1
Multifunctional Needle-Nose Pliers	1
Tape Measure	1
Utility Knife	1
Claw Hammer	1
Rubber Hammer Cap	1
Long Neck Screwdriver	1
Short Neck Screwdriver	1
Bits Set	20
Toolbox	1
User Manual	1

PRODUCT OVERVIEW

Please read this manual carefully before using the products and keep it for future reference.



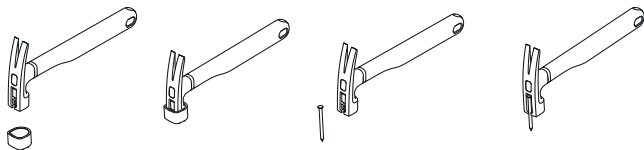
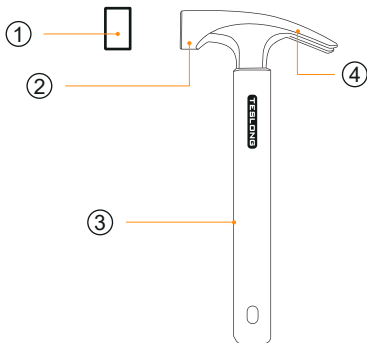
- | | |
|--------------------------|--------------------------------------|
| ① Short Neck Screwdriver | ⑥ Long Neck Screwdriver |
| ② Bits Set | ⑦ Utility Knife |
| ③ Claw Hammer | ⑧ Crescent Wrench |
| ④ Rubber Hammer Cap | ⑨ Multifunctional Needle-Nose Pliers |
| ⑤ Tape Measure | |

■ Claw Hammer

Claw Hammer: The flat side of the hammer head is the striking face. It can be used for striking hard objects. It features a built-in magnetic nail starter to make it easy and safe to drive a nail. The v-shaped claw on the other side is for extracting nails. A rubber hammer cap is provided.

It is recommended to install the rubber cap to prevent scratching the surface when hammering.

- ① Rubber Hammer Cap
- ② Striking Face
- ③ Hammer Handle
- ④ V-shaped Claw



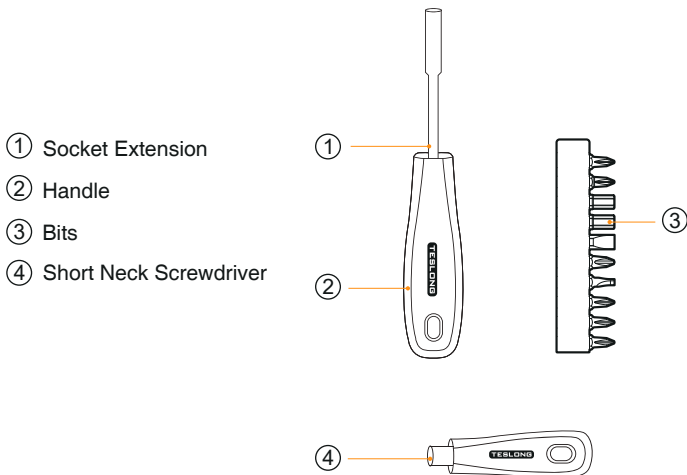
Notes

- Strike a hammer blow with the striking face parallel to the surface being struck.
- Do not strike one hammer with another.
- Do not use it when the hammer head is loose.
- Do not use it when the hammer handle is damaged.
- Do not use the rubber hammer cap for nail driving.



■ Screwdrivers

Screwdriver: With a built-in magnet, the socket extension can magnetically hold 1/4 (C6.3) bits. It can also be attached to a variety of bits. The household tool kit is equipped with 20pcs of bits for various screw tightening and removing scenarios.

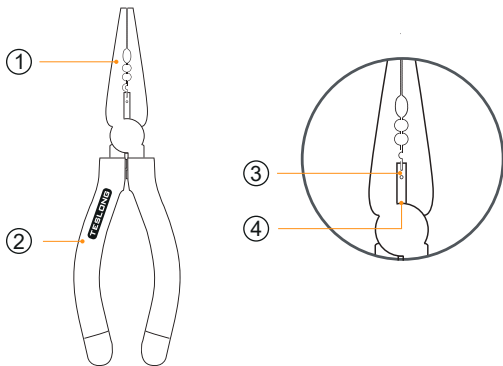


Notes

- The multifunctional screwdriver uses 1/4 (C6.3) bits. Please use bits of proper specification.
- Ensure the screwdriver be operated vertically against the workpiece.
- Do not use the screwdriver as a crowbar or a chisel.
- Do not use the screwdriver for electrical work.

■ Multifunctional Needle-Nose Pliers

Multifunctional Needle-Nose Pliers: It can be used to clamp and fix workpieces; twist, bend and cut metal wires; strip wires; crimp terminals, etc. It is equipped with a labor-saving spring and has a self-resetting function, making it easy to use.



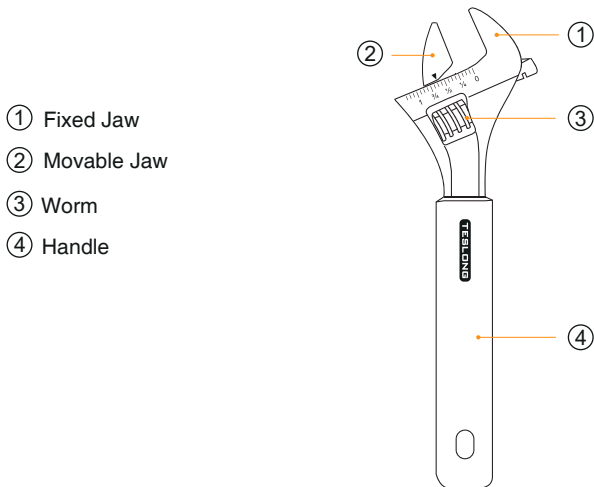
- ① Pliers Mouth
- ② Pliers Handle
- ③ Crimping Groove
- ④ Stripping Groove

Notes

- Please wear protective goggles when cutting or tightening wires.
- Do not use the multifunctional needle-nose pliers as a hammer.
- Please take proper care of the pliers and lubricate the hinges.
- Do not use the pliers for electrical work.

■ Crescent Wrench

Crescent Wrench: At 200mm long, it can be used to tighten or loosen hexagon bolts or nuts. Turn the worm to adjust the width between the two jaws to clamp the nuts. This wrench applies to hexagon bolts and nuts $\leq 20\text{mm}$.



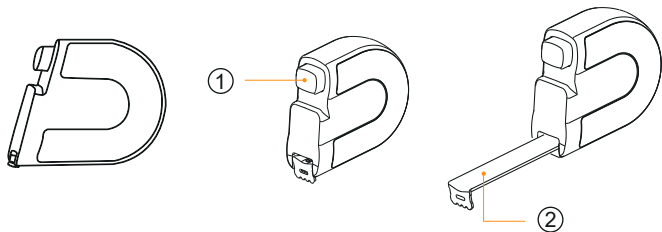
- ① Fixed Jaw
- ② Movable Jaw
- ③ Worm
- ④ Handle

Notes

- When operating, the width between the two jaws must be adjusted accurately to fit the nut.
- The wrench and the nut must be kept horizontal to prevent slippage. Do not strike hard objects with the wrench.
- To avoid damaging the wrench, do not attempt to increase the pulling leverage by adding an extension bar or pipe to the wrench handle.

■ Tape Measure

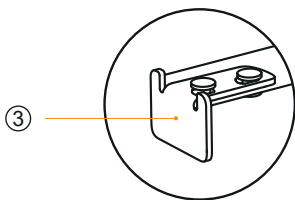
Tape Measure: The auto-lock tape measure enables convenient and safe operation. Pull out the blade to start measuring. The auto-lock function keeps the blade extended until you press the release button, allowing it to retract easily.



① Release Button

② Blade

③ Hook

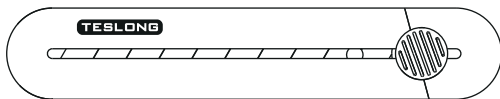


Notes

- Maximum measurement range is 10 feet (3 meters). Do not pull the blade out of range.
- Do not touch the edge of the blade during retraction to prevent cuts.
- Do not grasp the blade to prevent cuts.
- Do not use the tape measure if the blade is broken or torn.

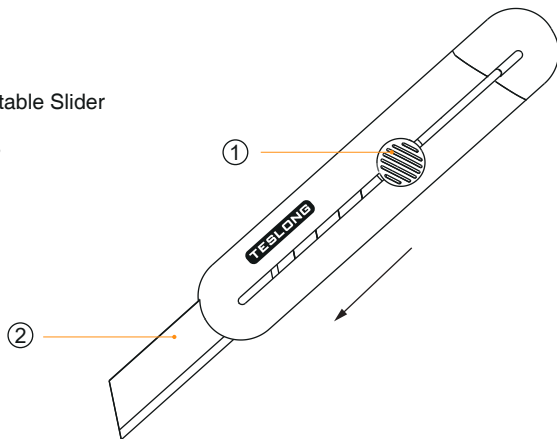
Utility Knife

Retractable cutter for cartons, cardboard and boxes, 0.7 inch (18mm) wide razor sharp blade, smooth mechanism, great for office and home use.



① Retractable Slider

② Blades



CAUTION

Risk of cuts! The blades are sharp. Wear protective gloves.





Customer Service

Please contact us if you have any questions,
we would love to hear from you.



To review your warranty coverage
please visit www.teslong.com/warranty



Lifetime Technical Support



support@teslong.com



1-877-899-8809 (US)
(Mon-Fri, 8:00 AM-5:00 PM PST)



www.teslong.com



@TeslongInc



@teslongusa



@teslongusa



@teslongusa



说明书技术要求

- 1、材质:哑粉纸105g, 骑马钉12P
- 2、尺寸:成品尺寸105x148mm
- 3、油墨干净, 文字内容清晰无缺漏
- 4、四色印刷